

SPIELPLATZ MY SPACE XL

(477 x 251 x h304cm)

003_01345_29012015

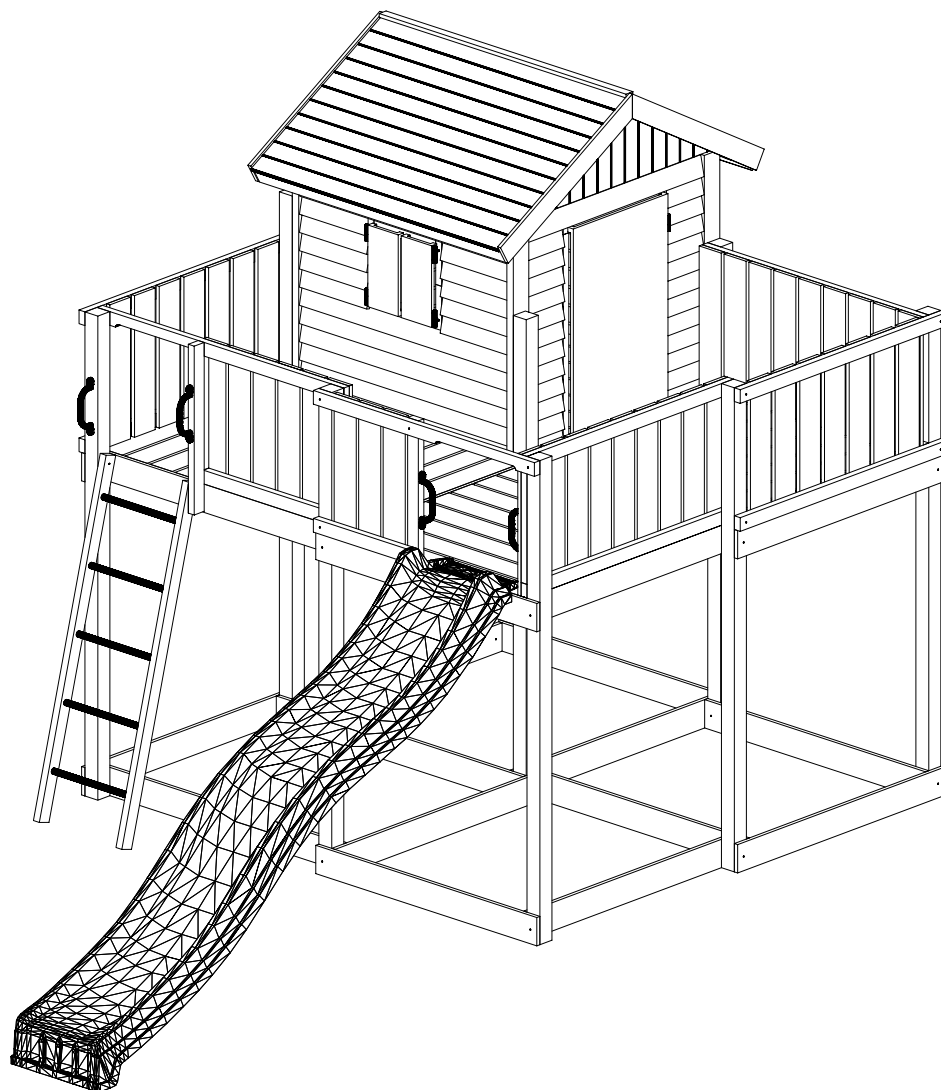
MONTAGEANLEITUNG

AIRE DE JEUX MY SPACE XL

(477 x 251 x h304cm)

003_01345_29012015

GUIDE D'INSTALLATION

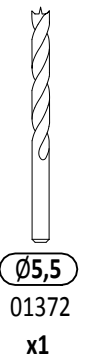
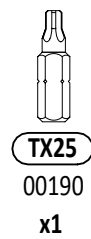
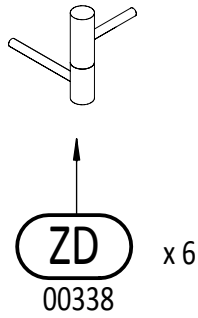
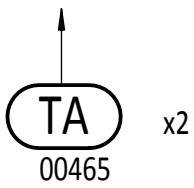
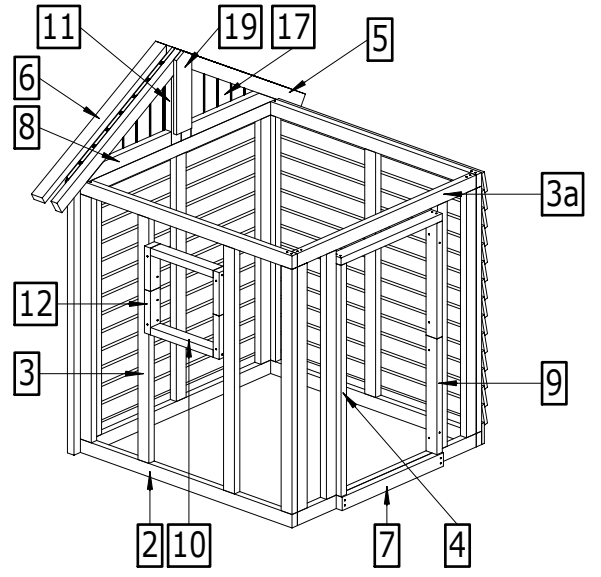
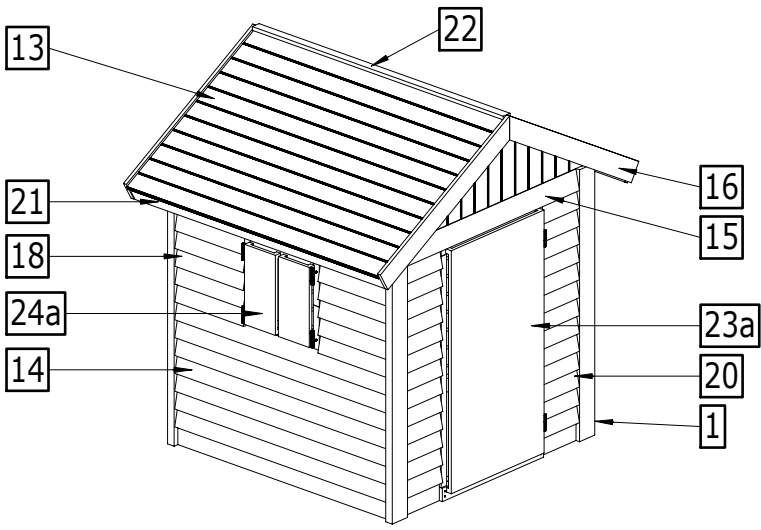


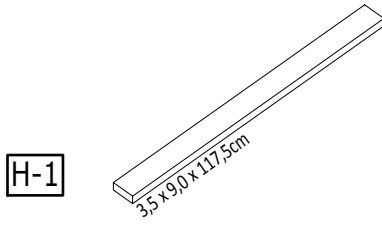
ACHTUNG!

Nur für den privaten, häuslichen Bereich.
Ausschließlich für die Verwendung im Freien.
Nicht geeignet für Kinder unter 3 Jahren.
Stolper- und / oder Sturzgefahr
Höchstgewicht pro Einzelkind beträgt 50 kg
Der Aufenthalt auf diesem Spielturm ist max. : 11.
Kindern gleichzeitig erlaubt.

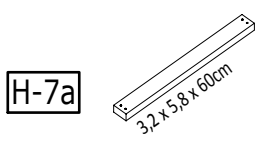
AVERTISSEMENT!

Aire exclusivement destinée à un usage privé.
Aire exclusivement destinée à un usage en extérieur.
Prévue pour les enfants de plus de 3 ans.
Danger de chute ou de choc.
Poids maximal d'un utilisateur : 50 kg.
Nombre maximal d'utilisateurs présents en
même temps sur la même aire de jeux: 11.

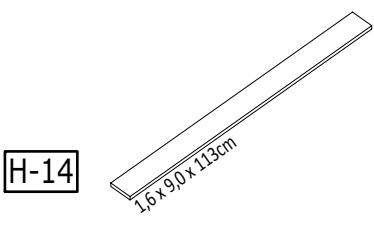




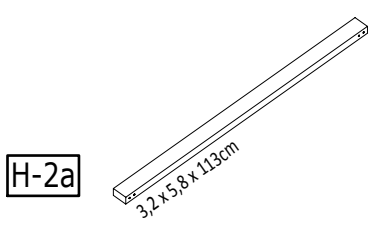
H-1



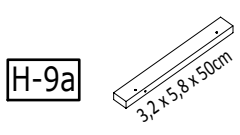
H-7a



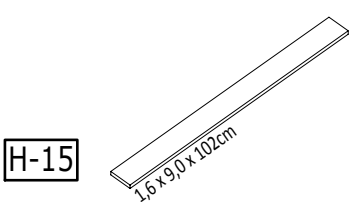
H-14



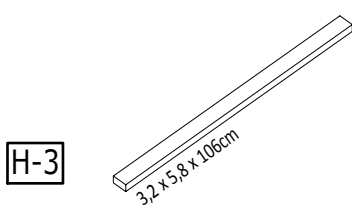
H-2a



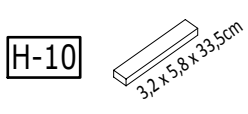
H-9a



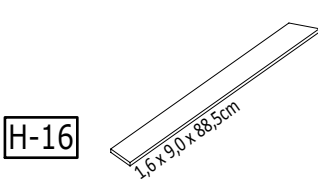
H-15



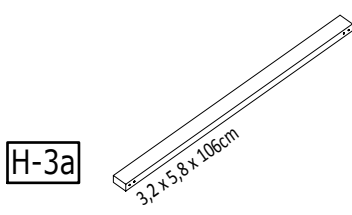
H-3



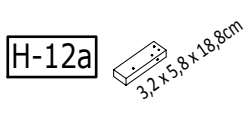
H-10



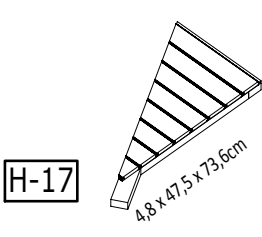
H-16



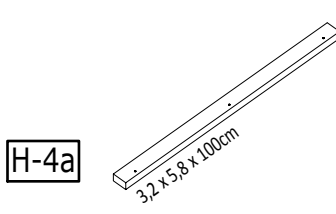
H-3a



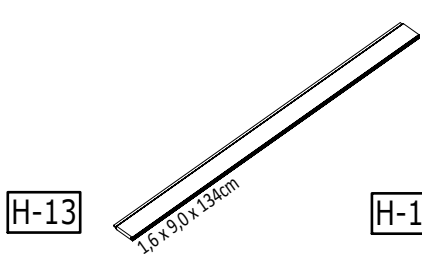
H-12a



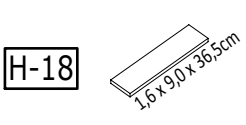
H-17



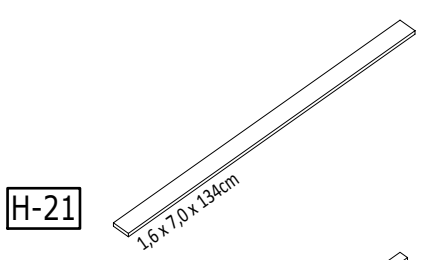
H-4a



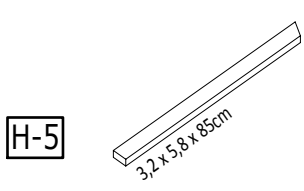
H-13



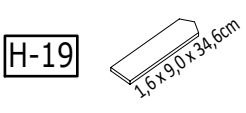
H-18



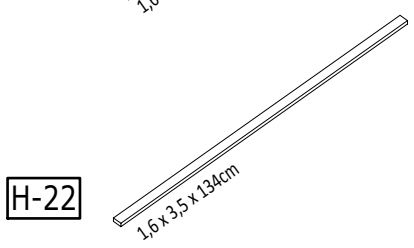
H-21



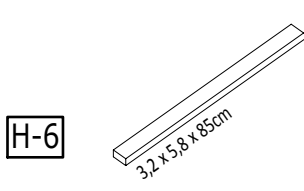
H-5



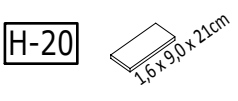
H-19



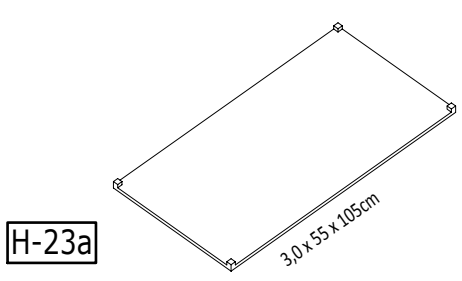
H-22



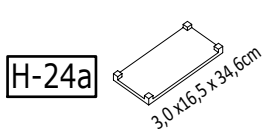
H-6



H-20



H-23a



H-24a

H-1	35x90x1175mm	4
H-2a	32x58x1130mm	4
H-3	32x58x1060mm	14
H-3a	32x58x1060mm	4
H-4a	32x58x1000mm	1
H-5	32x58x850mm	2
H-6	32x58x850mm	4
H-7a	32x58x600mm	2
H-9a	32x58x500mm	2
H-10	32x58x335mm	2
H-12a	32x58x187mm	4
H-13	16x90x1340mm	22
H-14	16x90x1130mm	25
H-15	16x90x1020mm	18
H-16	16x90x885mm	4
H-18	16x90x365mm	10
H-19	16x90x345mm	2
H-20	16x90x210mm	28
H-21	16x70x1340mm	2
H-22	16x35x1340mm	1
H-23a	15x550x1050mm	1
H-24a	15x165x345mm	2
H-17	pólszczyt	4

W80 x266



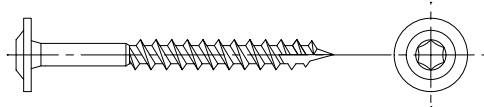
W40 x828



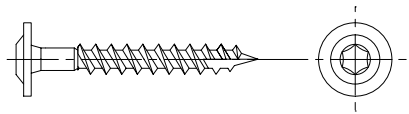
W20 x14



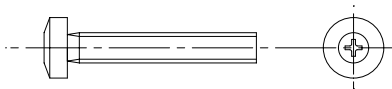
T80 x72



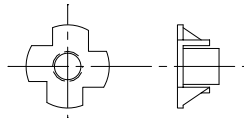
T60 x20



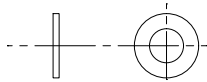
S50 x16



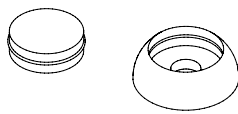
L11 x16



P17 x24



OS1 x66



Ø3
00239
x1

Ø5,5
01372
x1

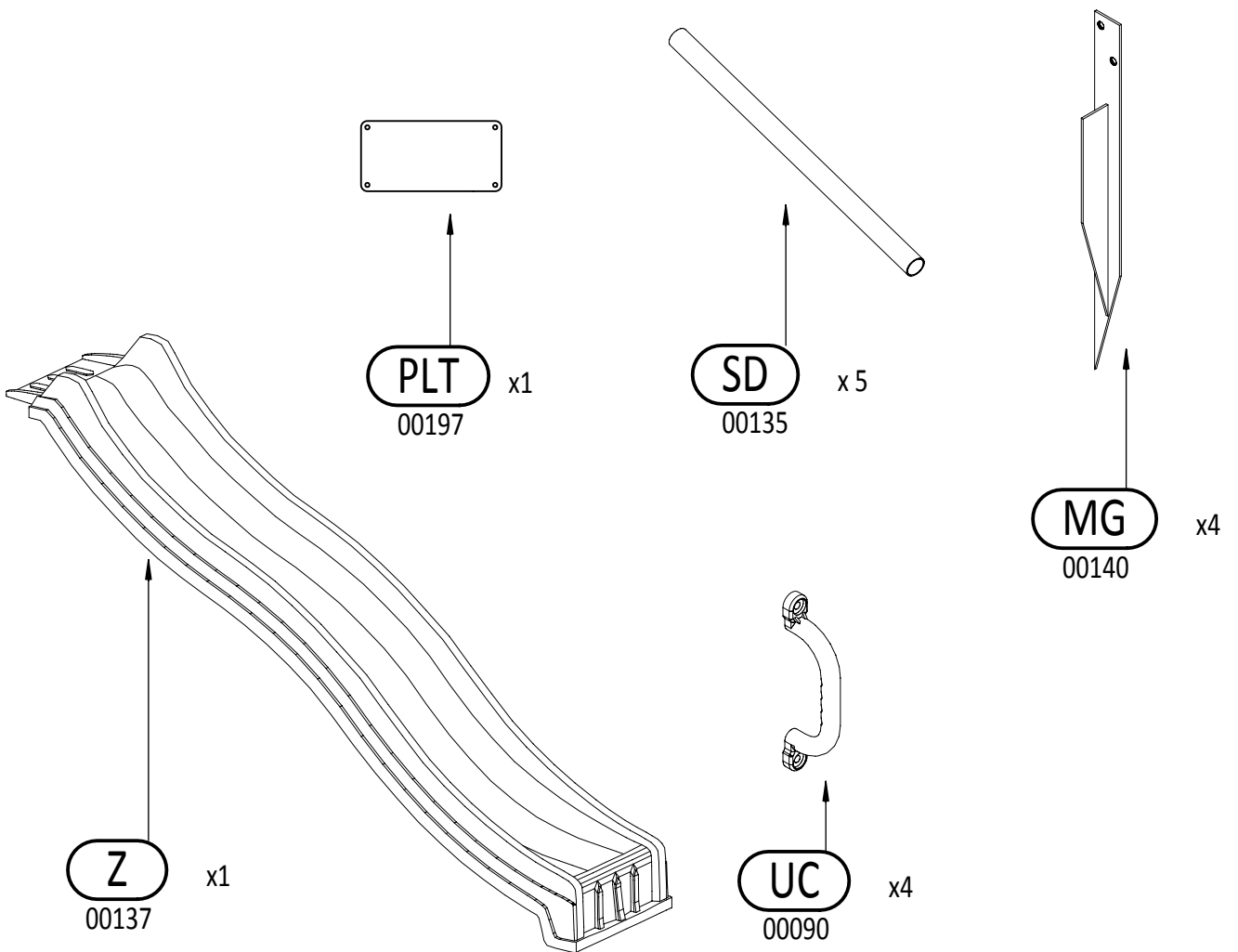
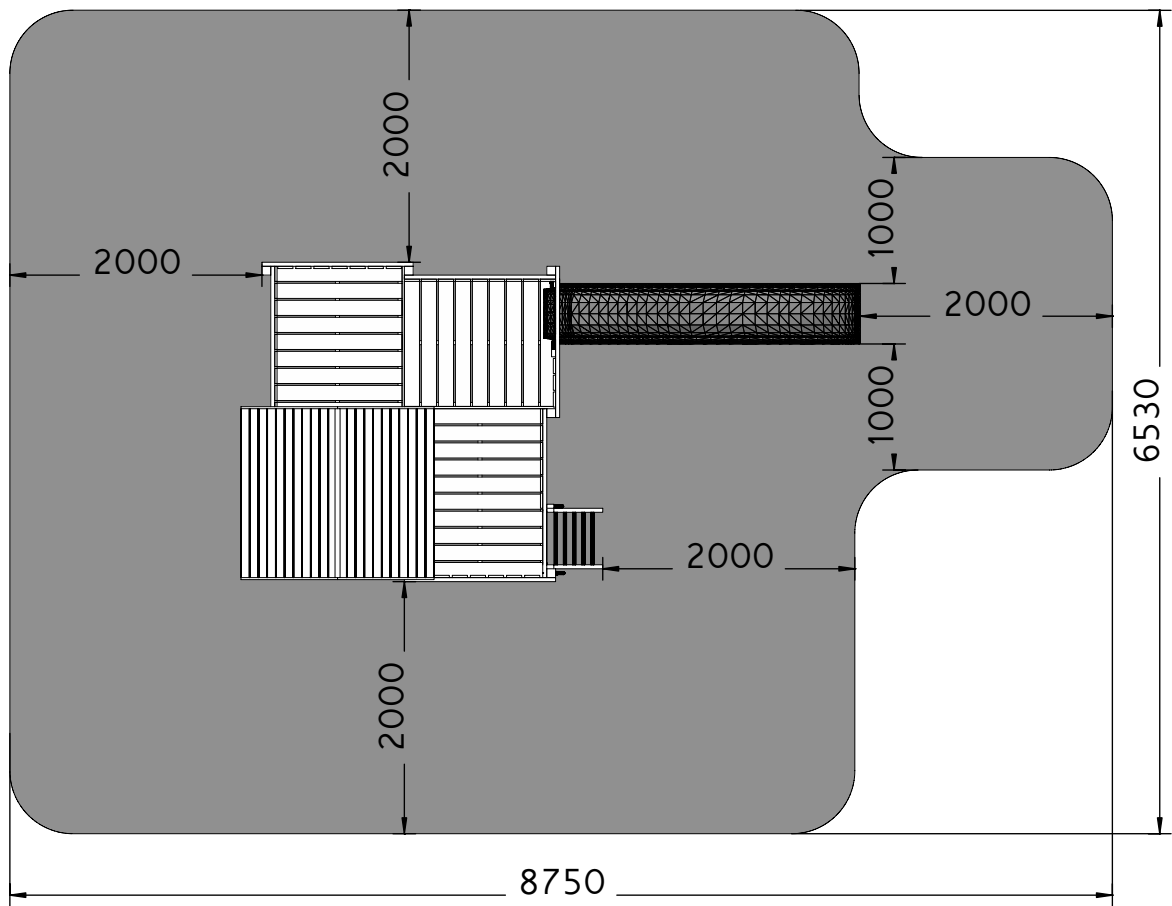
Ø10
00188
x1

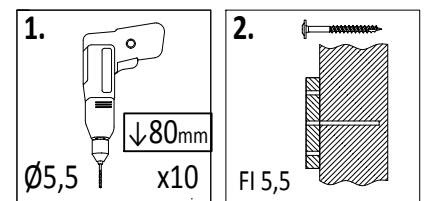
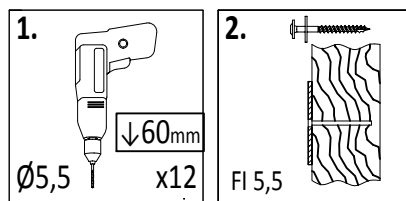
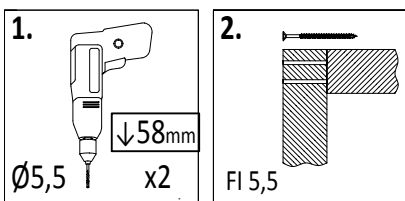
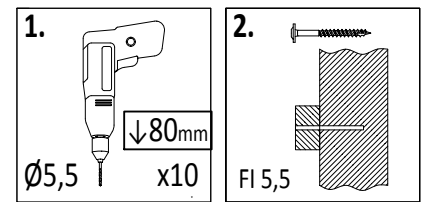
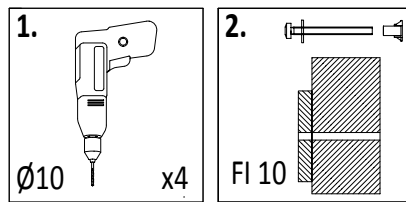
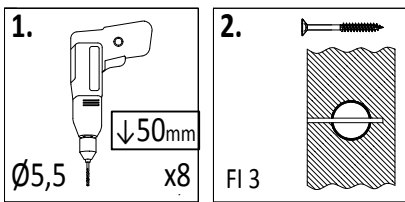
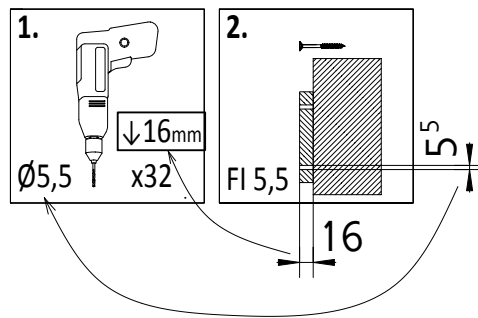
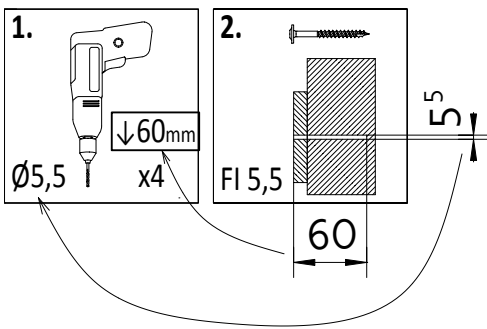
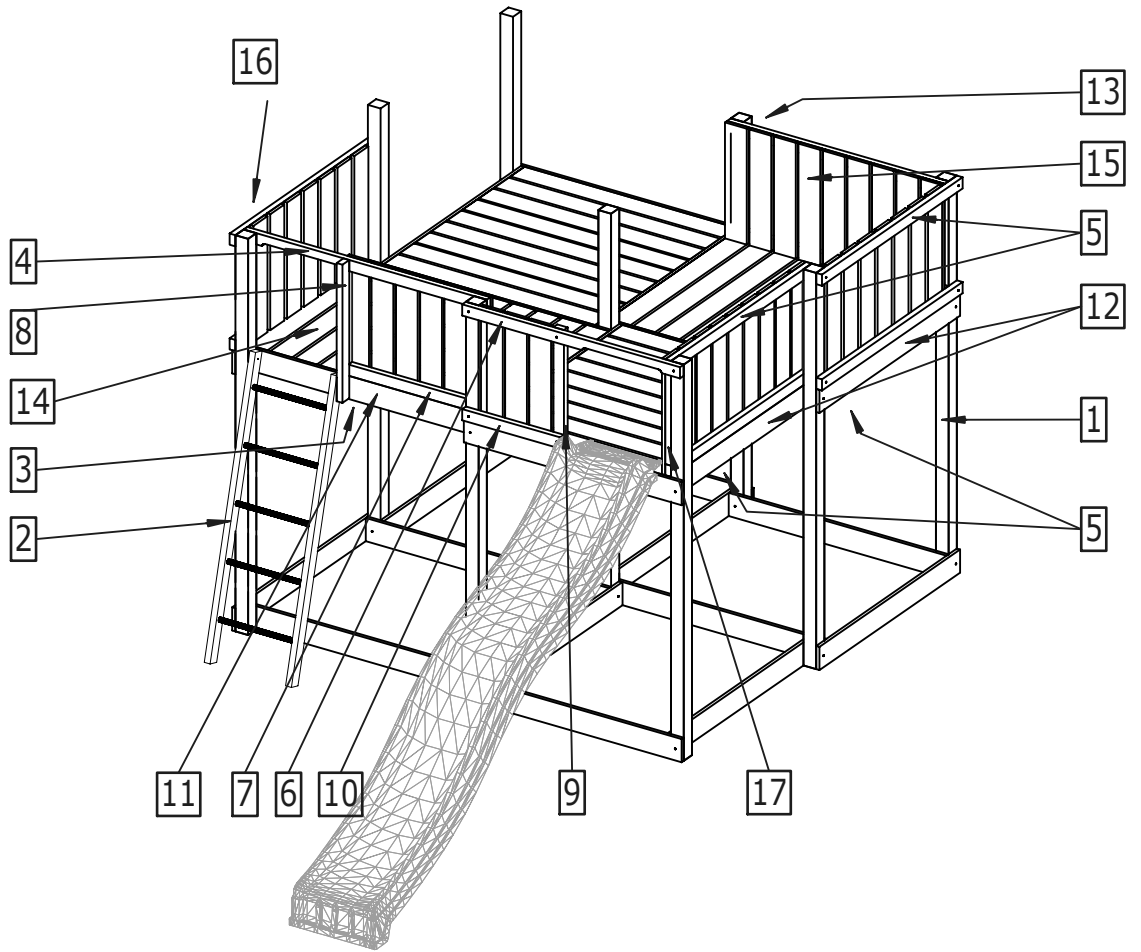
PH3
00068
x1

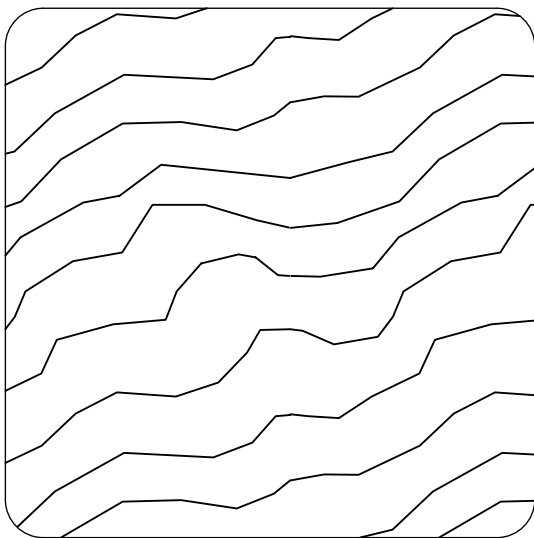
PZ2
00241
x1

TX25
00190
x1

TX40
00242
x1

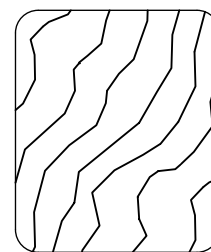






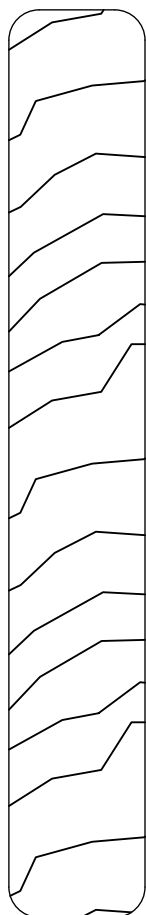
7,0 x 7,0 cm

Lp.	Wymiary [mm]	szt.
P-1	70x70x2250mm	2
P-2	70x70x2050mm	7



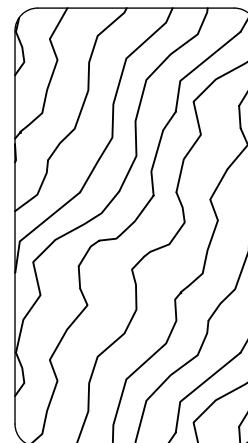
2,7 x 3,2 cm

Lp.	Wymiary [mm]	szt.
P-15a	27x32x542mm	1
P-16a	27x32x484mm	4



1,8 x 12,0 cm

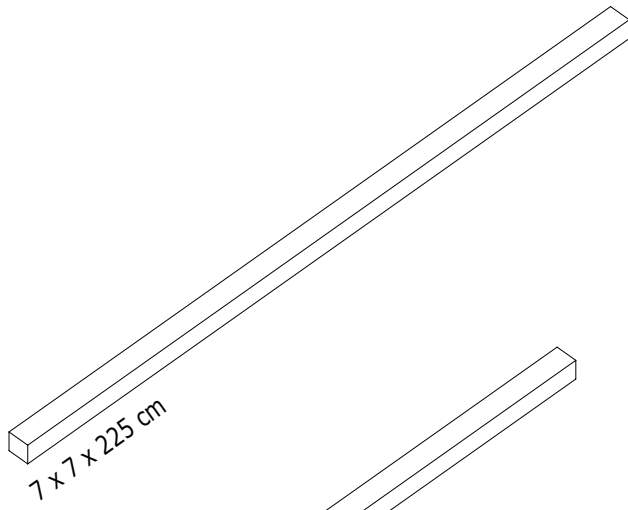
Lp.	Wymiary [mm]	szt.
P-10a	18x120x1340mm	6
P-11a	18x120x1200mm	18
P-12	18x120x1164mm	9
P-13	18x120x1024mm	28
P-14	18x120x600mm	41



3,2 x 5,8 cm

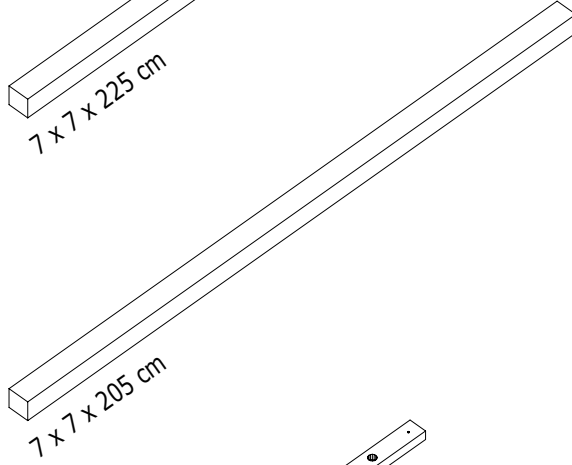
Lp.	Wymiary [mm]	szt.
P-3a	32x58x1500mm	2
P-4	32x58x1340mm	3
P-4a	32x58x1340mm	1
P-5	32x58x1200mm	9
P-5a	32x58x1200mm	4
P-5b	32x58x1200mm	4
P-5c	32x58x1200mm	1
P-6a	32x58x790mm	1
P-7	32x58x715mm	1
P-8	32x58x600mm	1
P-9a	32x58x540mm	1

P-1



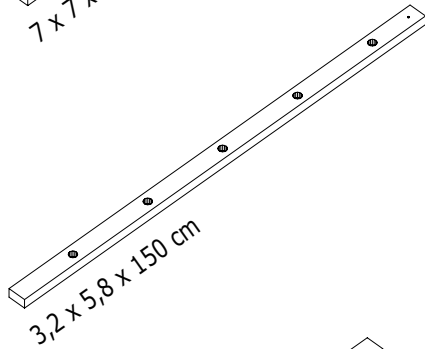
7 x 7 x 225 cm

P-2



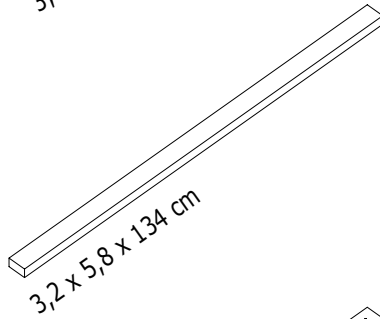
7 x 7 x 205 cm

P-3a



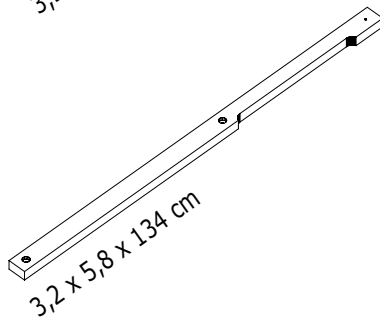
3,2 x 5,8 x 150 cm

P-4



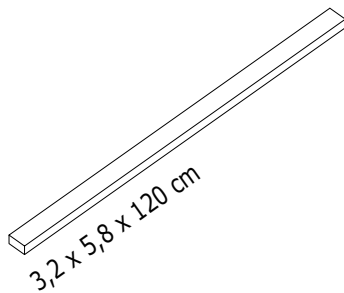
3,2 x 5,8 x 134 cm

P-4a



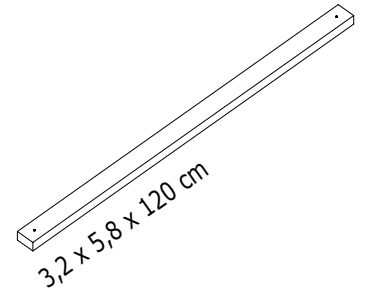
3,2 x 5,8 x 134 cm

P-5



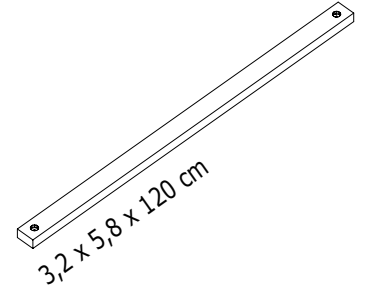
3,2 x 5,8 x 120 cm

P-5a



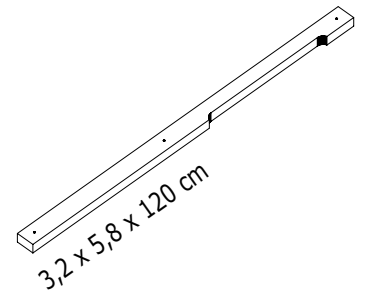
3,2 x 5,8 x 120 cm

P-5b



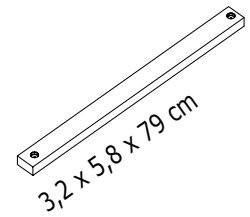
3,2 x 5,8 x 120 cm

P-5c



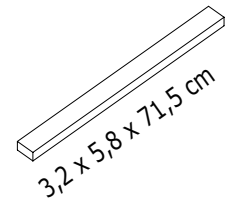
3,2 x 5,8 x 120 cm

P-6a



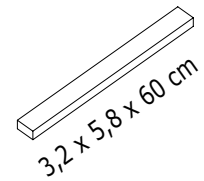
3,2 x 5,8 x 79 cm

P-7



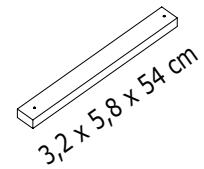
3,2 x 5,8 x 71,5 cm

P-8



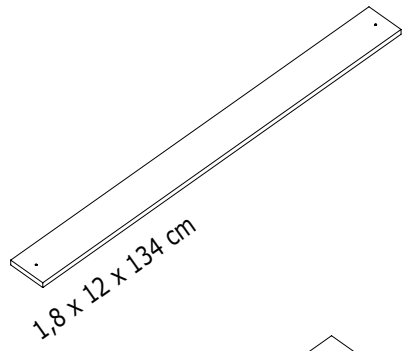
3,2 x 5,8 x 60 cm

P-9a

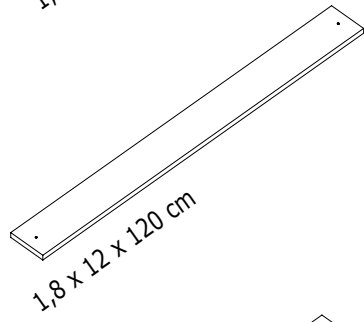


3,2 x 5,8 x 54 cm

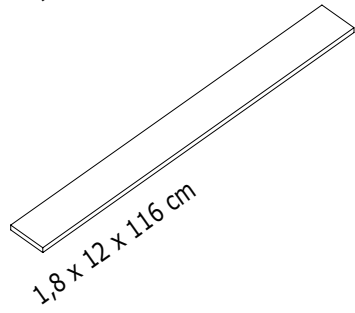
P-10a



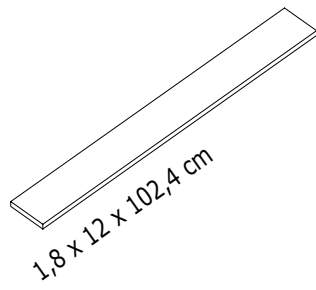
P-11a



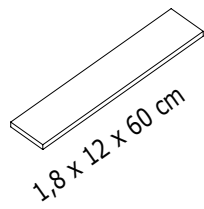
P-12



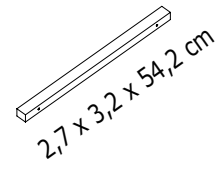
P-13



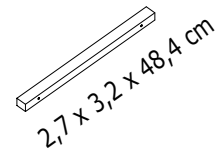
P-14



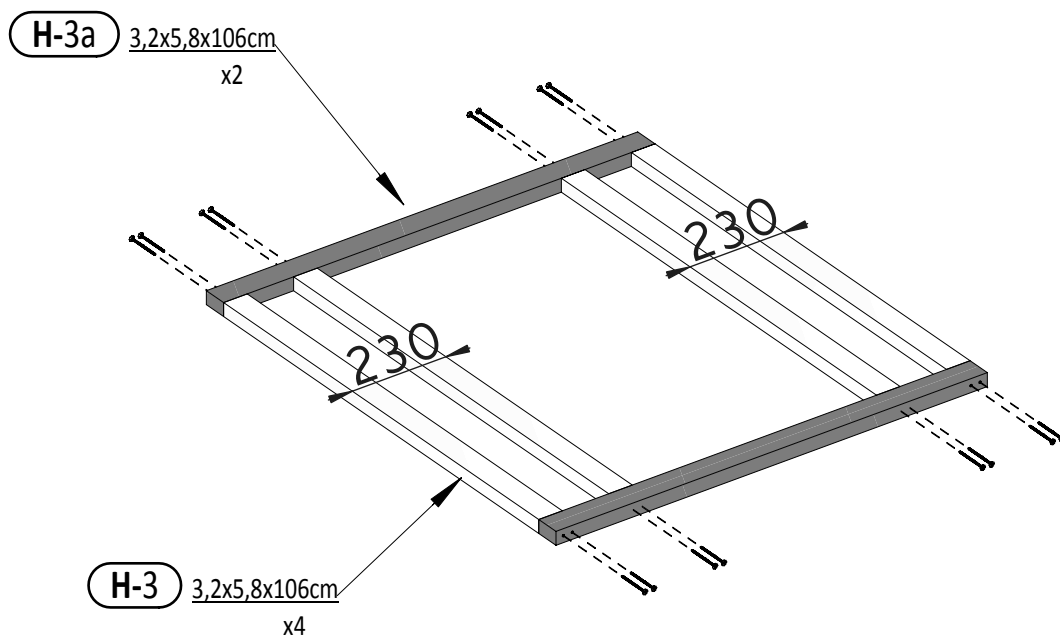
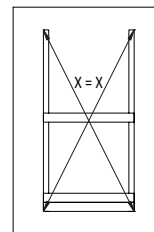
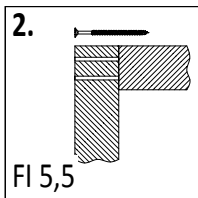
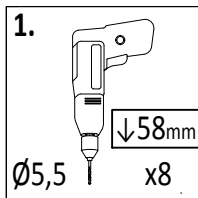
P-15a



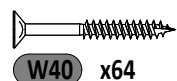
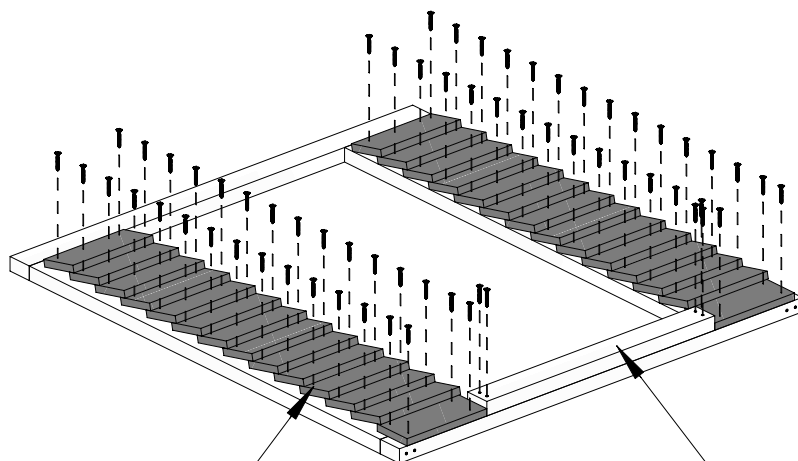
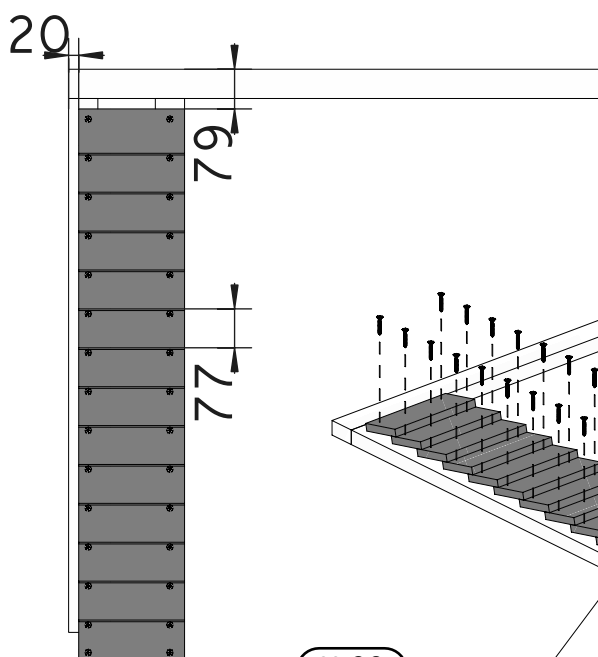
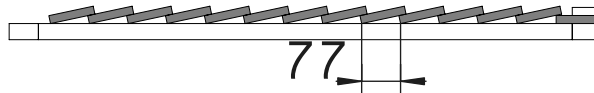
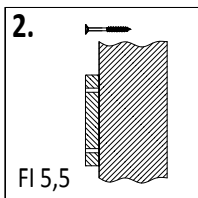
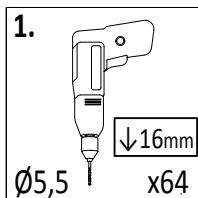
P-16a



01

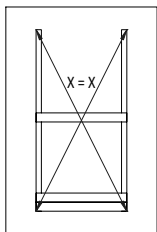


02



H-20 1,6x9,0x21cm x28

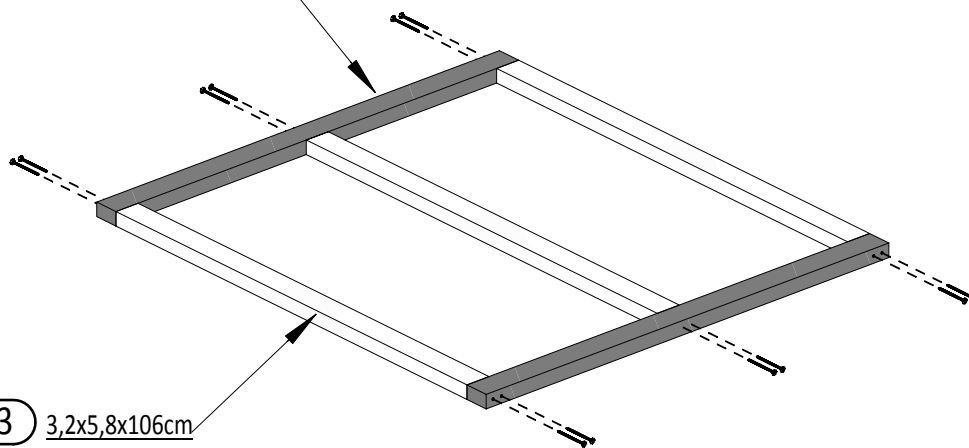
H-7a 3,2x5,8x60cm x1



1. $\downarrow 58\text{mm}$
 $\varnothing 5,5$ x4

2. FI 5,5

H-3a 3,2x5,8x106cm
x2

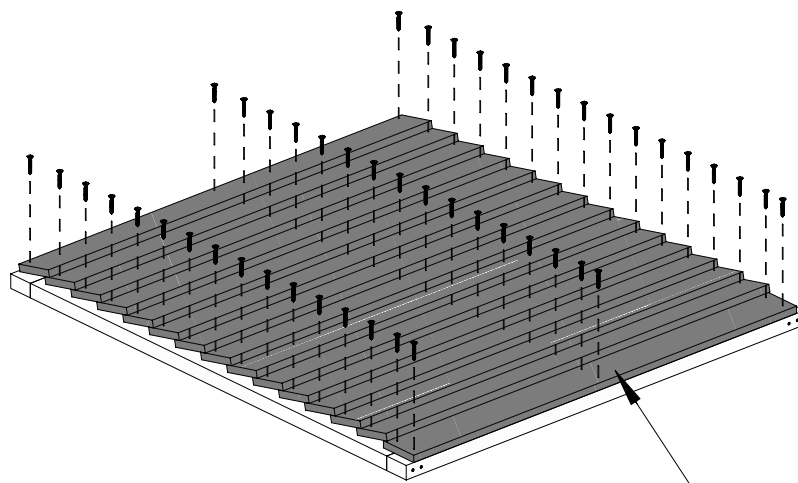
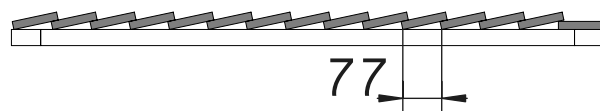
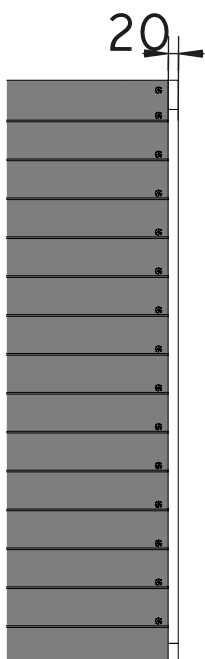


H-3 3,2x5,8x106cm
x3

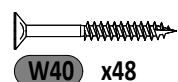


1. $\downarrow 16\text{mm}$
 $\varnothing 5,5$ x32

2. FI 5,5

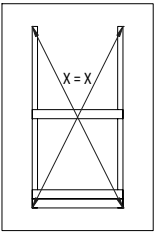
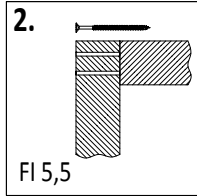
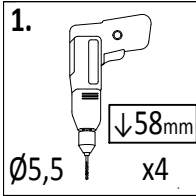


H-15 1,6x9,0x102cm
x15



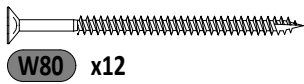
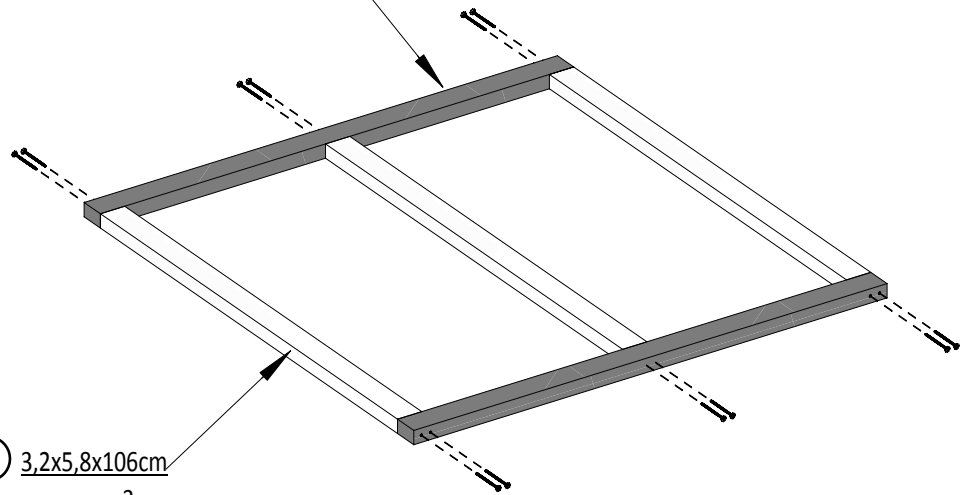
Zgodnie z normą PN-EN 71 stosuj zalecenia producenta odnośnie odległości oraz metody mocowania poszczególnych elementów
 In compliance with the standard PN-EN 71, apply guidelines of the producer in relation to distances and methods of fastening individual elements

05

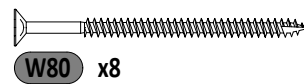
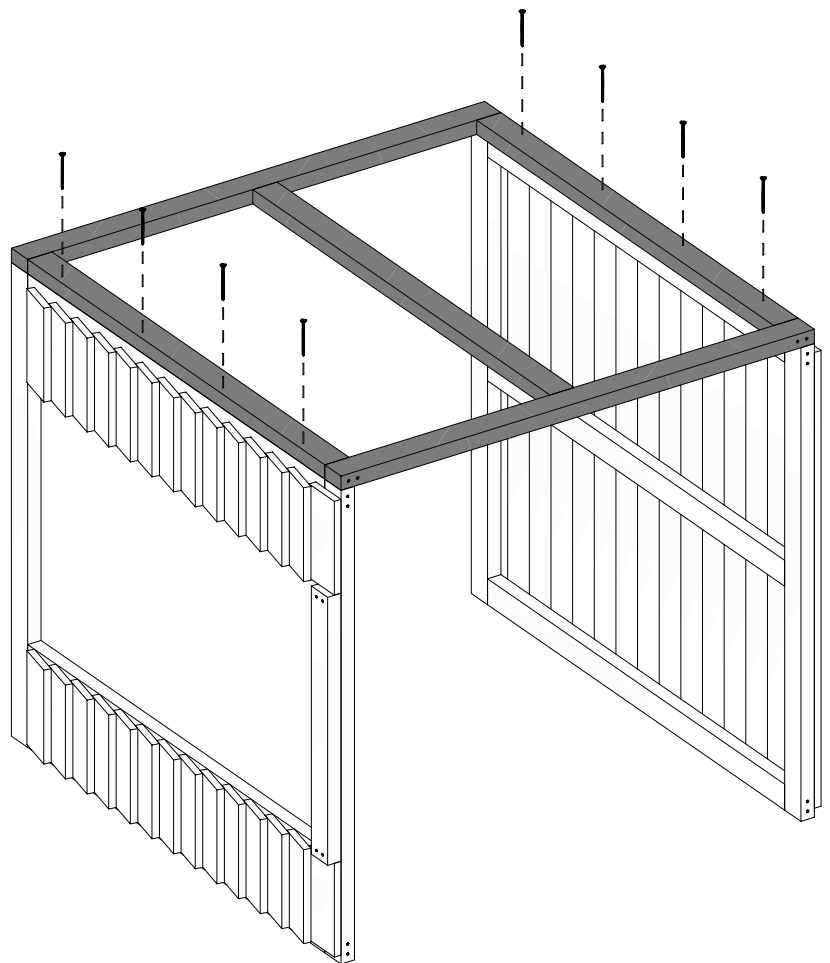
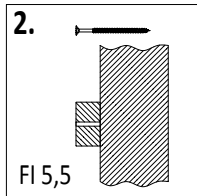
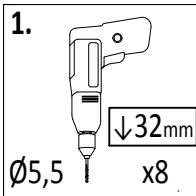


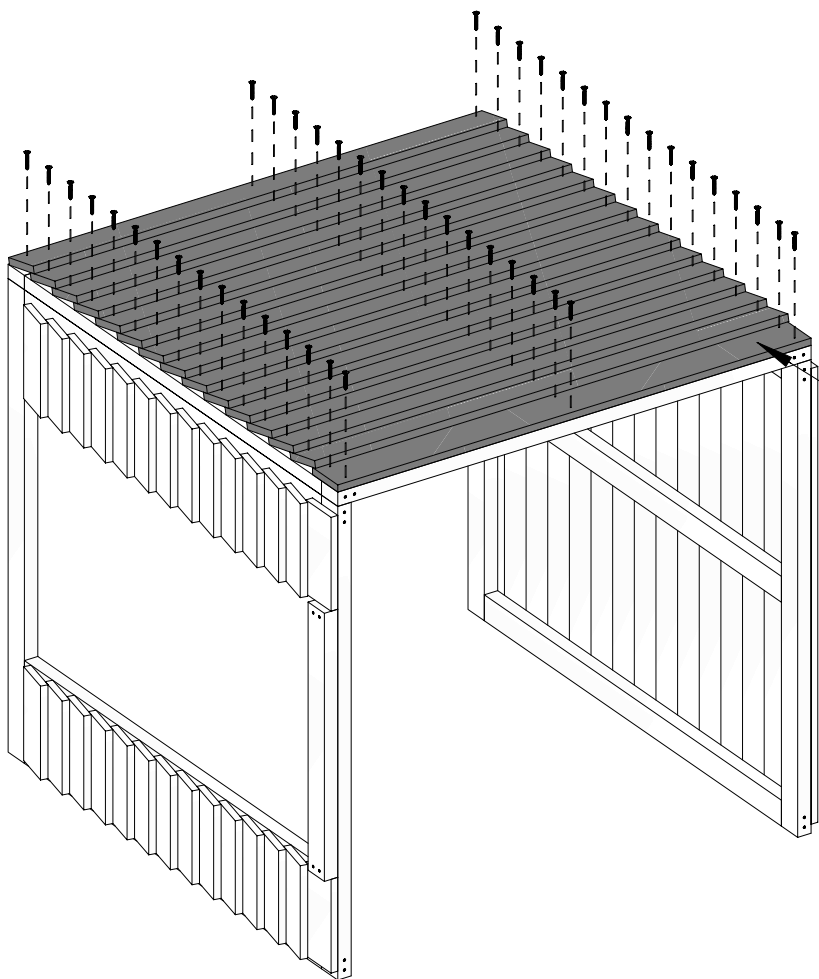
H-2a 3,2x5,8x113cm
 x2

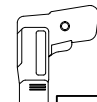
H-3 3,2x5,8x106cm
 x3





06

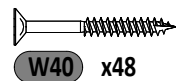




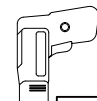
1.  $\downarrow 16\text{mm}$
 $\varnothing 5,5$ x48

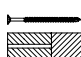
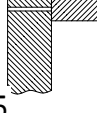
2.  
 FI 5,5

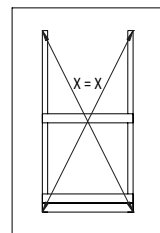
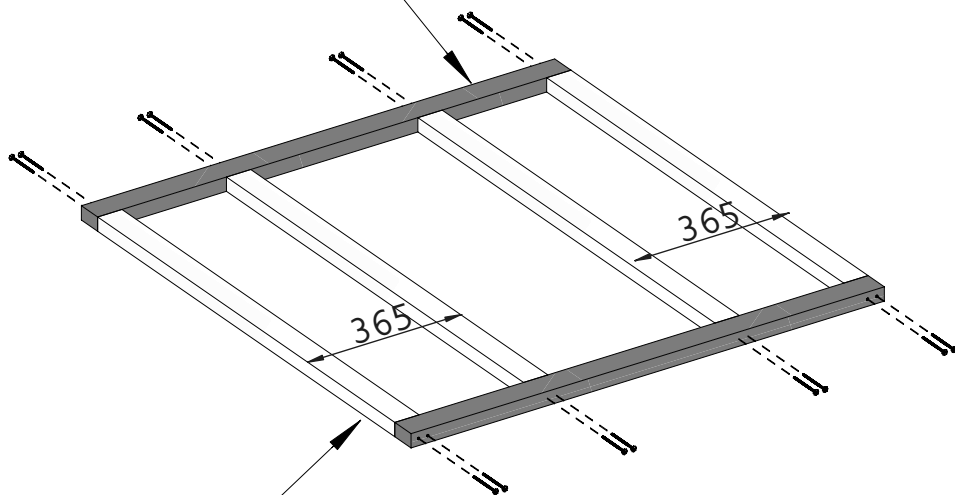
H-14 1,6x9,0x113cm
x15



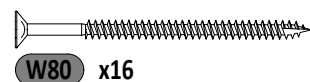
H-2a 3,2x5,8x113cm
x2

1.  $\downarrow 58\text{mm}$
 $\varnothing 5,5$ x8

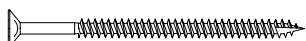
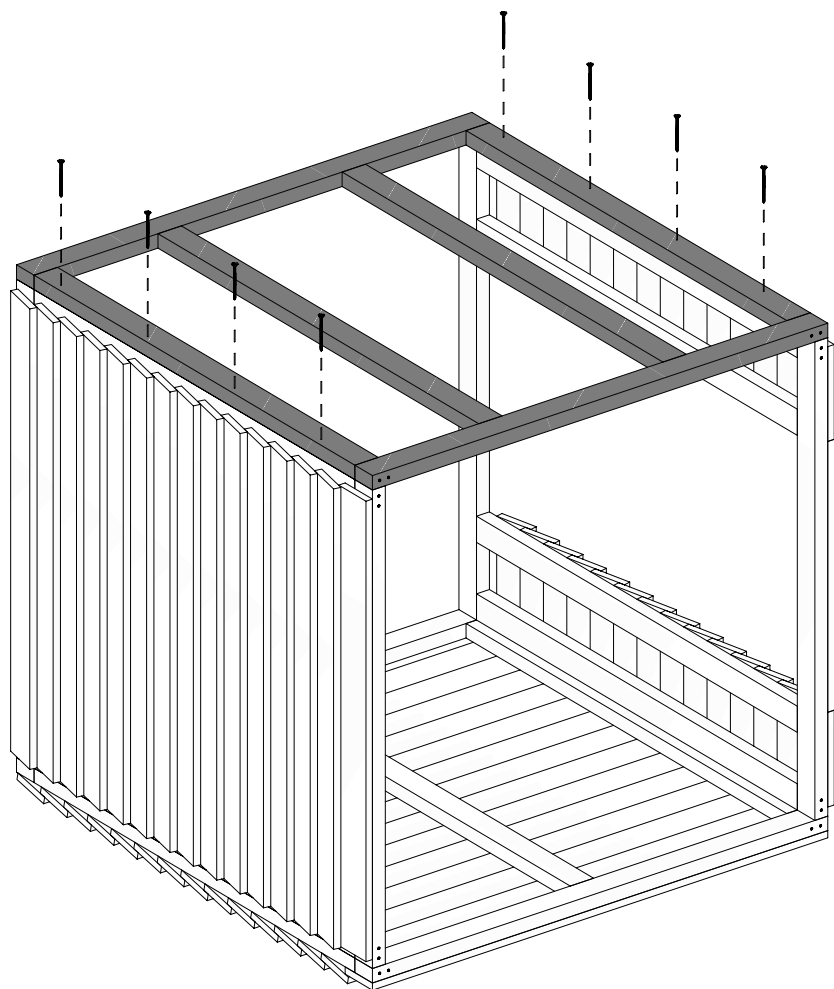
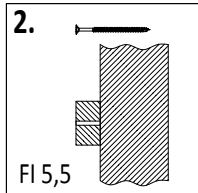
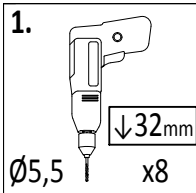
2.  
 FI 5,5



H-3 3,2x5,8x106cm
x4

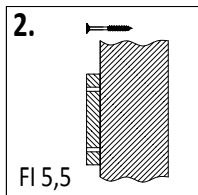
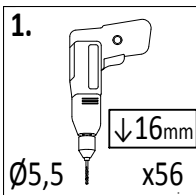


09



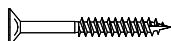
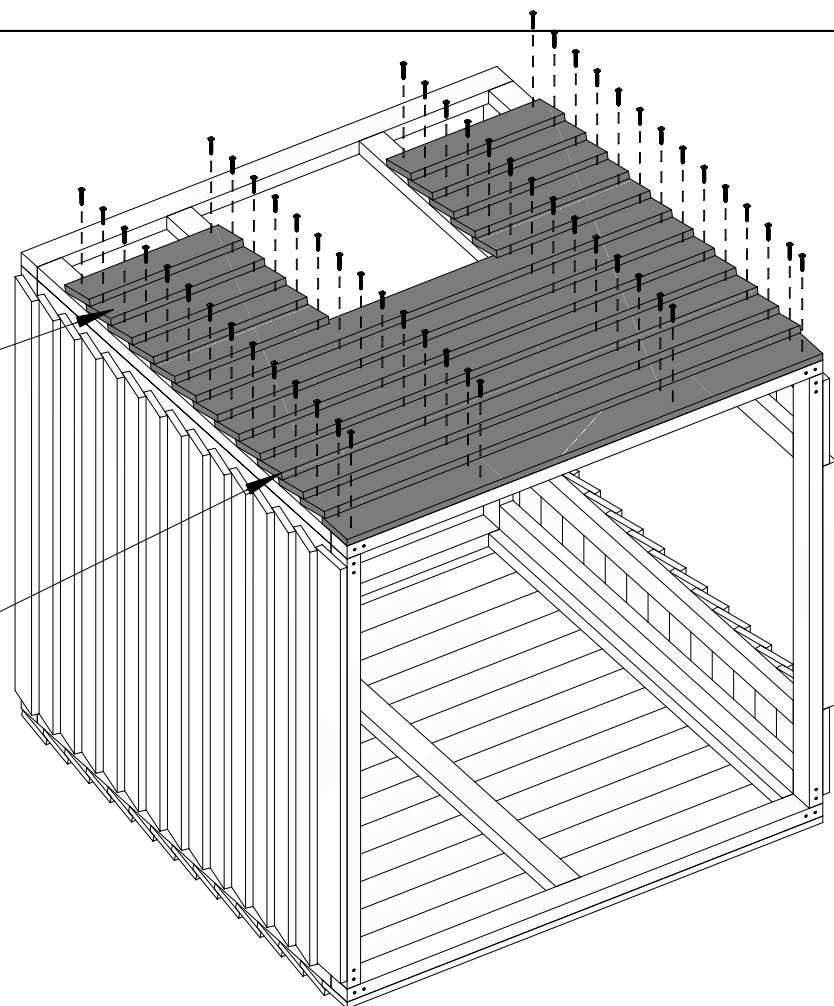
W80 x8

10

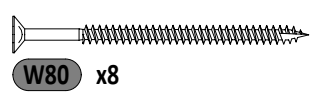
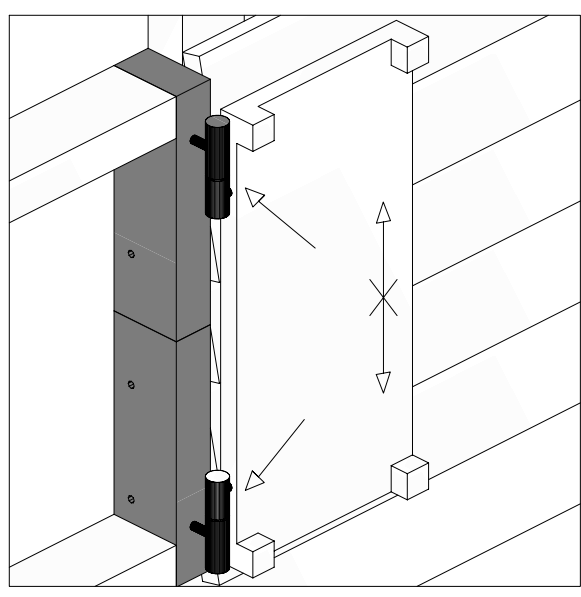
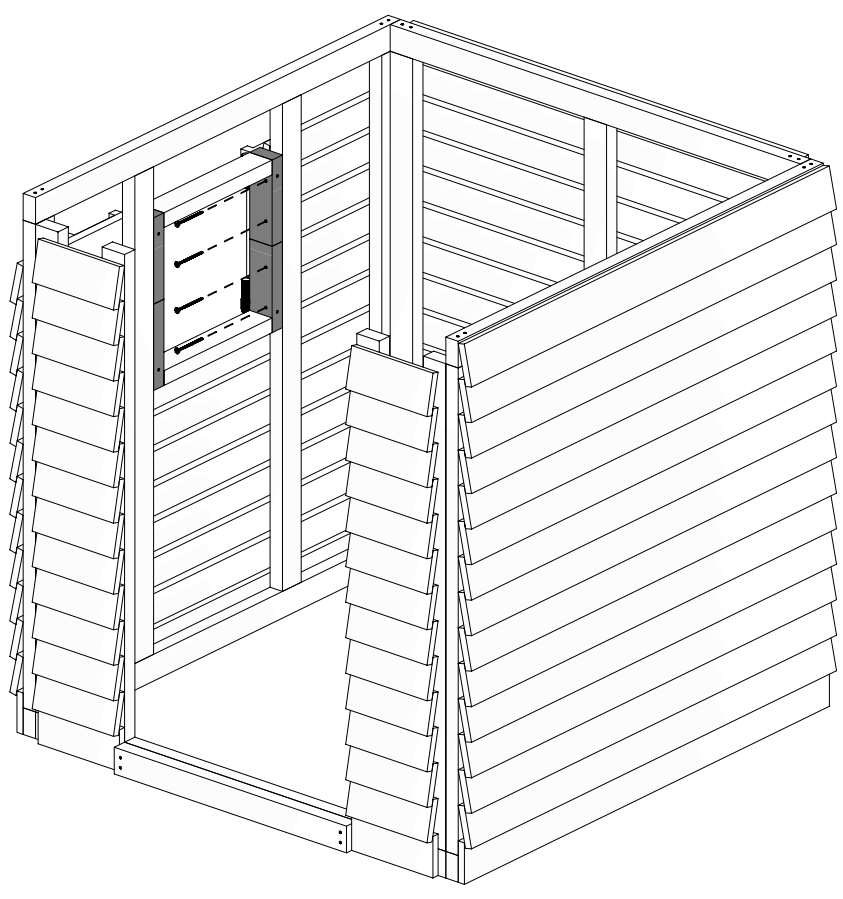
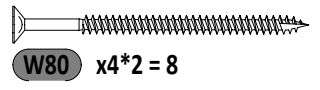
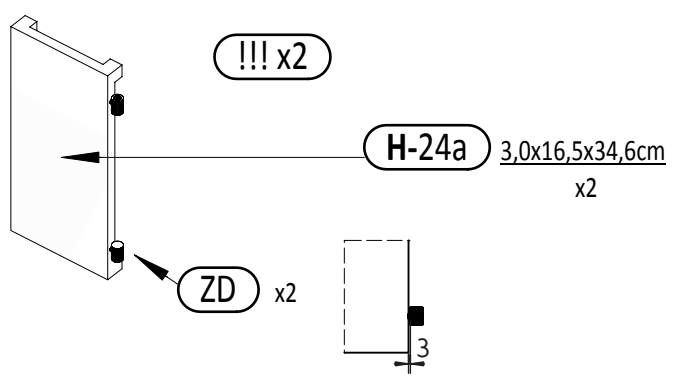
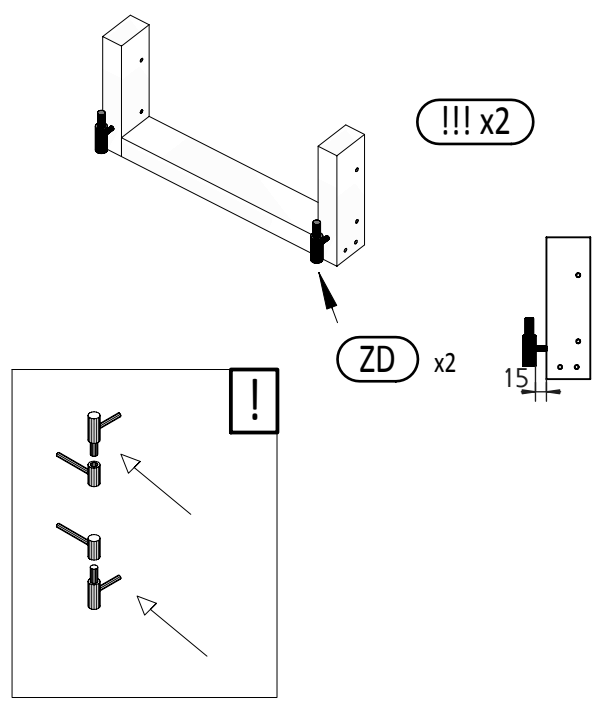
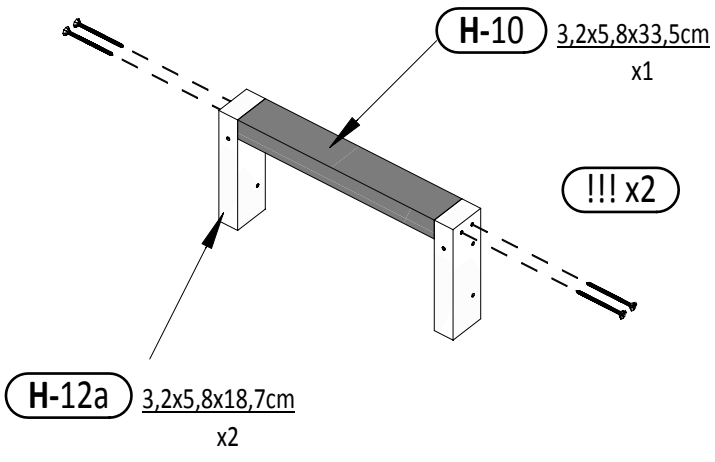


H-18 $1,6 \times 9,0 \times 36,5\text{cm}$
x10

H-14 $1,6 \times 9,0 \times 113\text{cm}$
x8

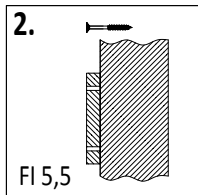
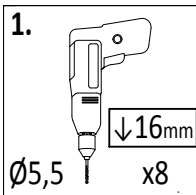


W40 x56

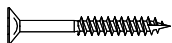
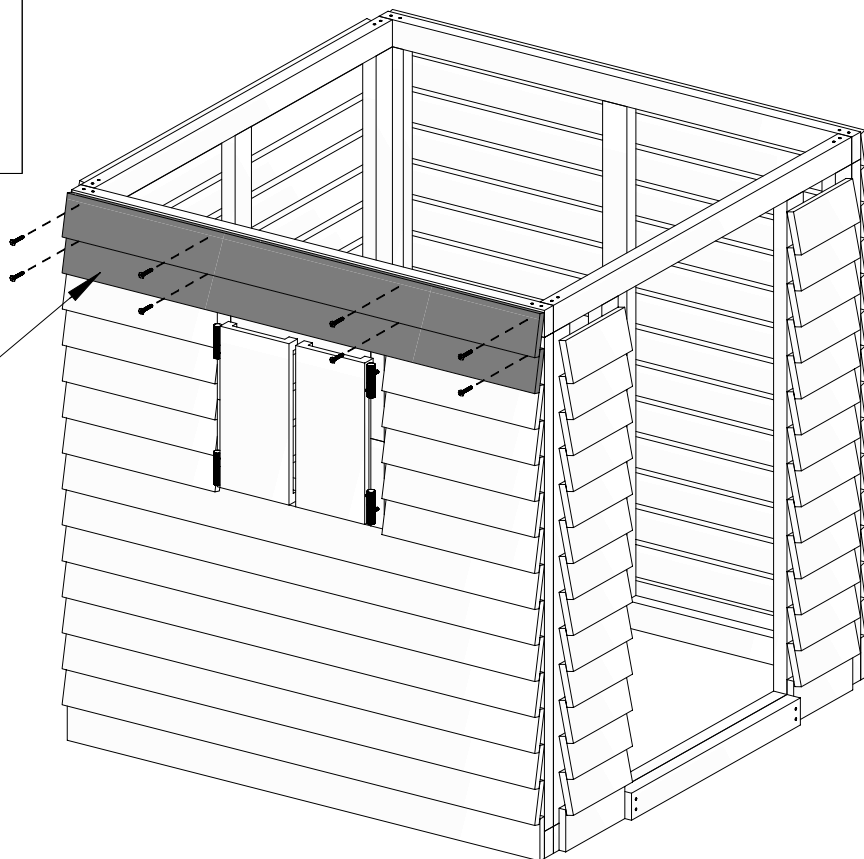


Zgodnie z normą PN-EN 71 stosuj zalecenia producenta odnośnie odległości oraz metody mocowania poszczególnych elementów
 In compliance with the standard PN-EN 71, apply guidelines of the producer in relation to distances and methods of fastening individual elements

13

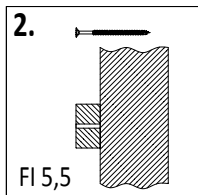
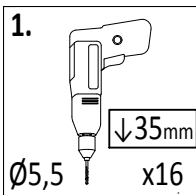


H-13 1,6x9,0x113cm
x2

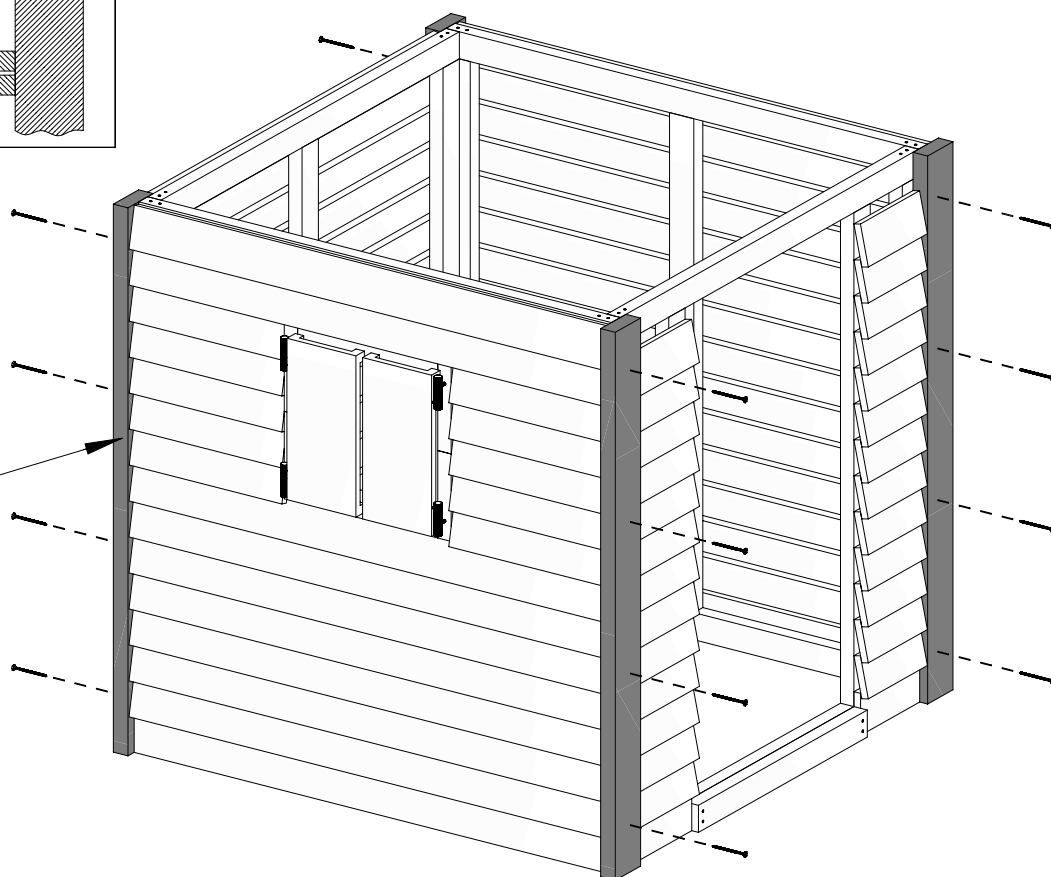


W40 x8

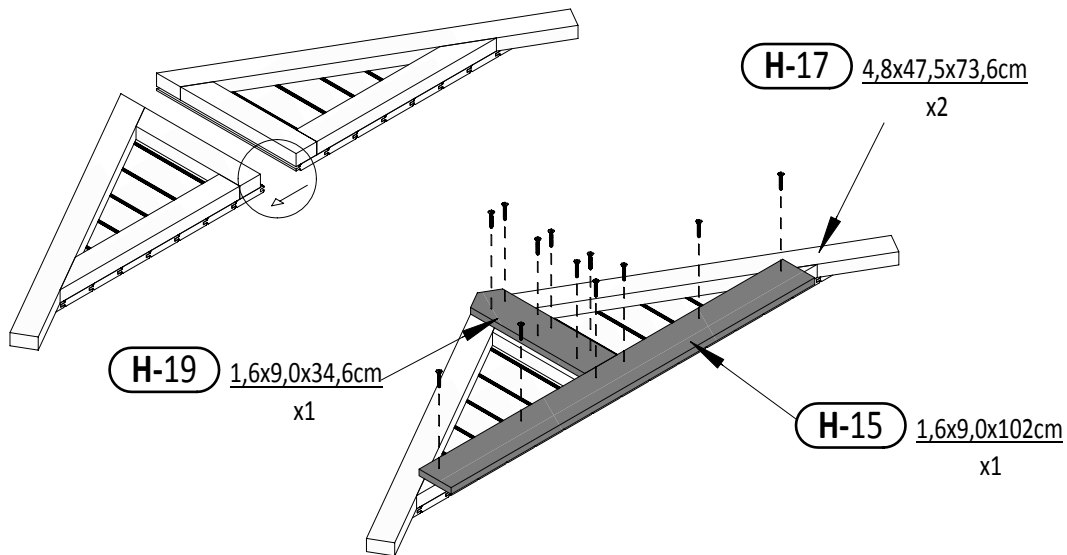
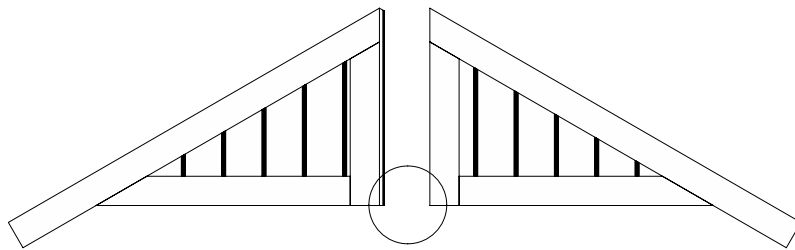
14



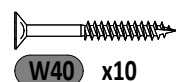
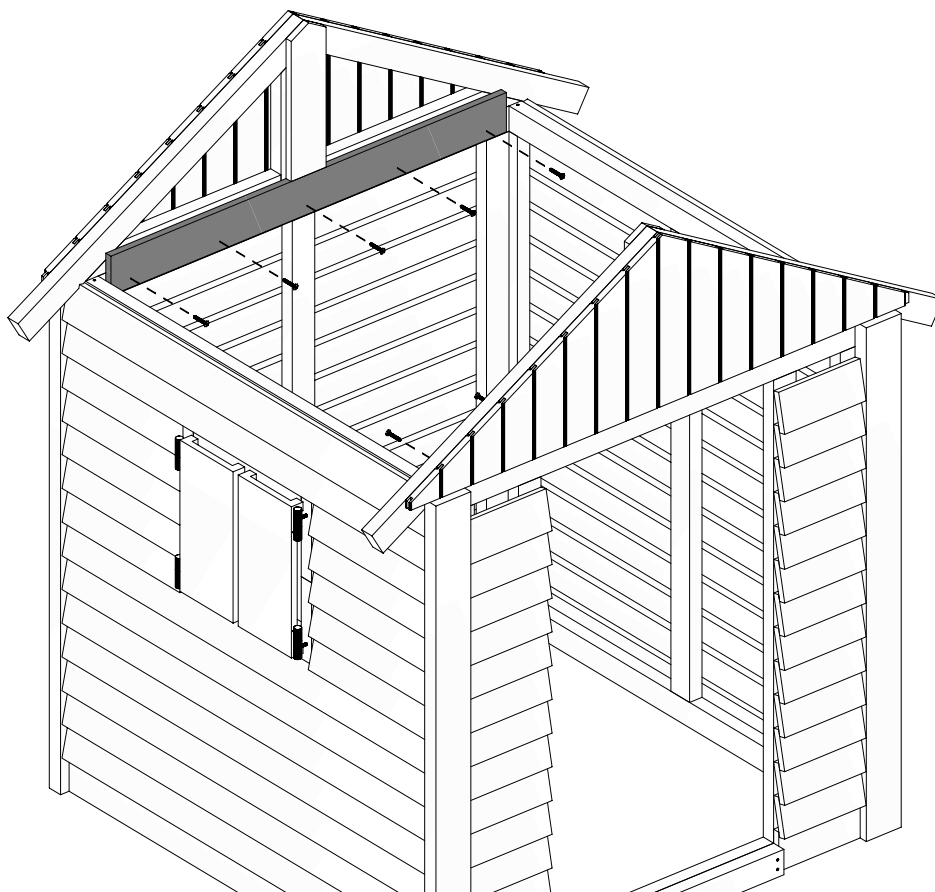
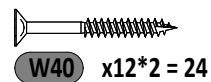
H-1 3,5x9,0x117,5cm
x4



W80 x16

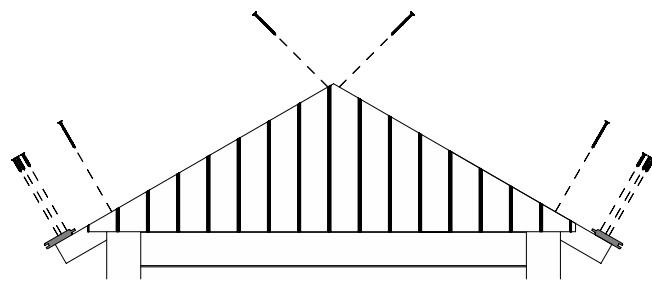


!!! x2

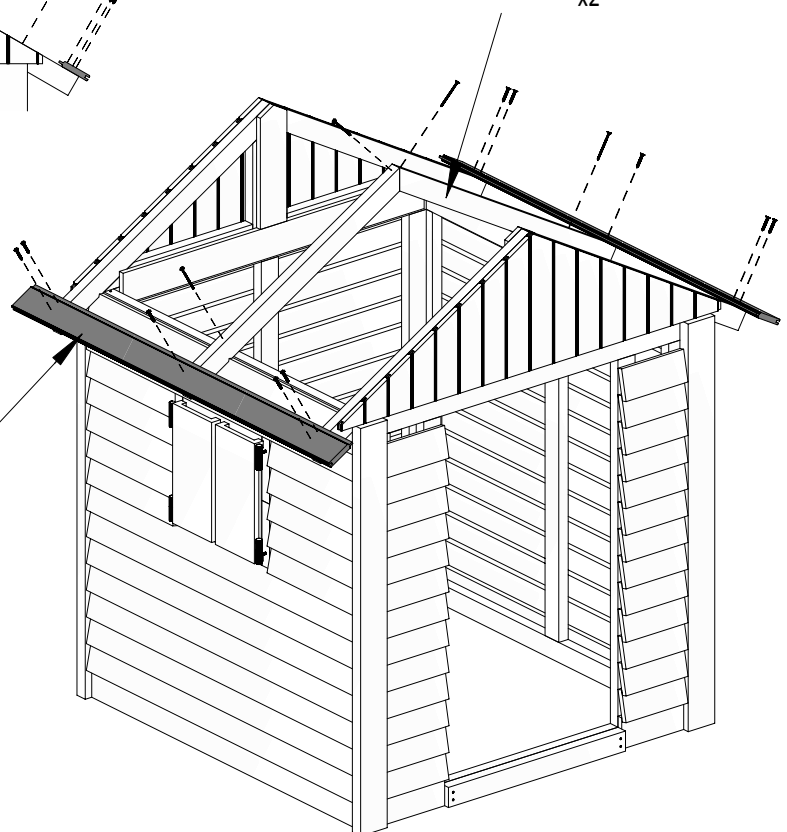


Zgodnie z normą PN-EN 71 stosuj zalecenia producenta odnośnie odległości oraz metody mocowania poszczególnych elementów
In compliance with the standard PN-EN 71, apply guidelines of the producer in relation to distances and methods of fastening individual elements

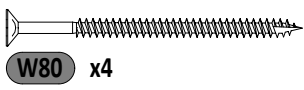
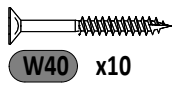
17



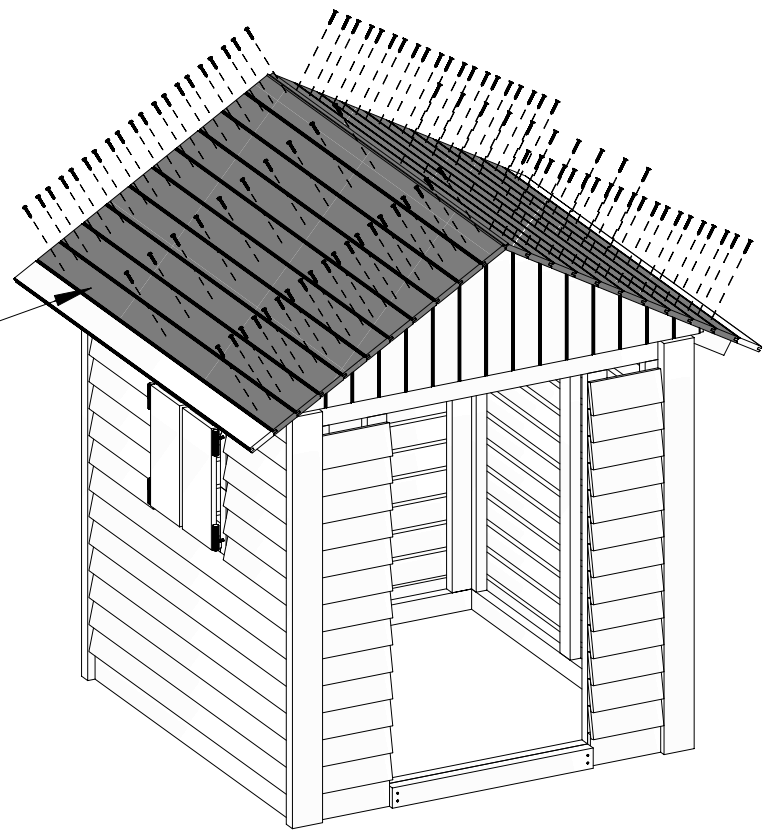
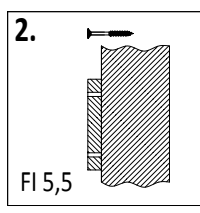
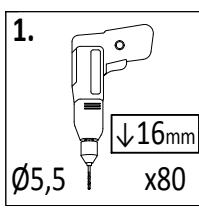
H-5 3,2x5,8x85cm x2



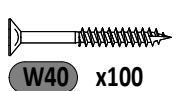
H-13 1,6x9,0x134cm x2

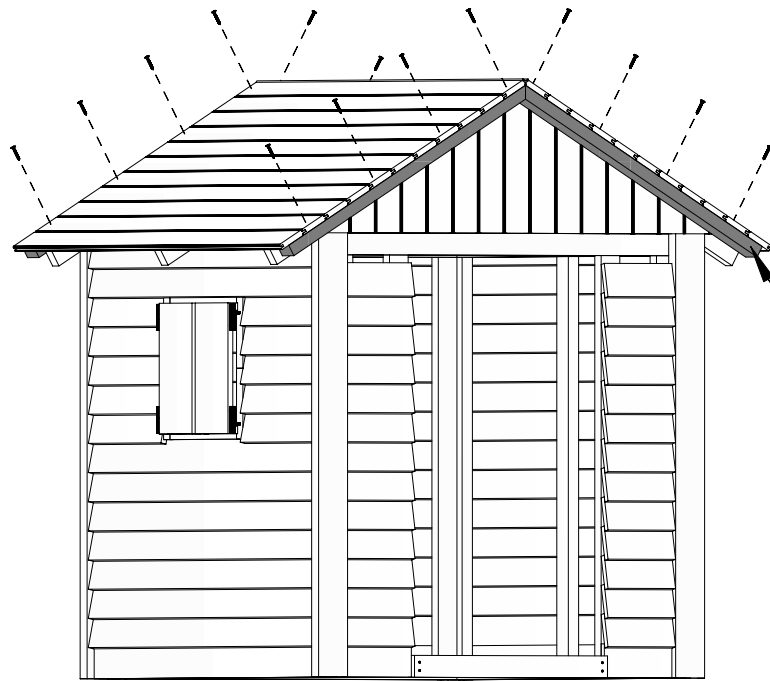
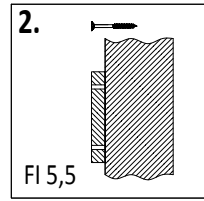
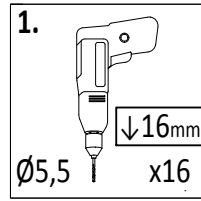
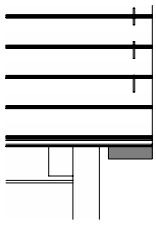


18

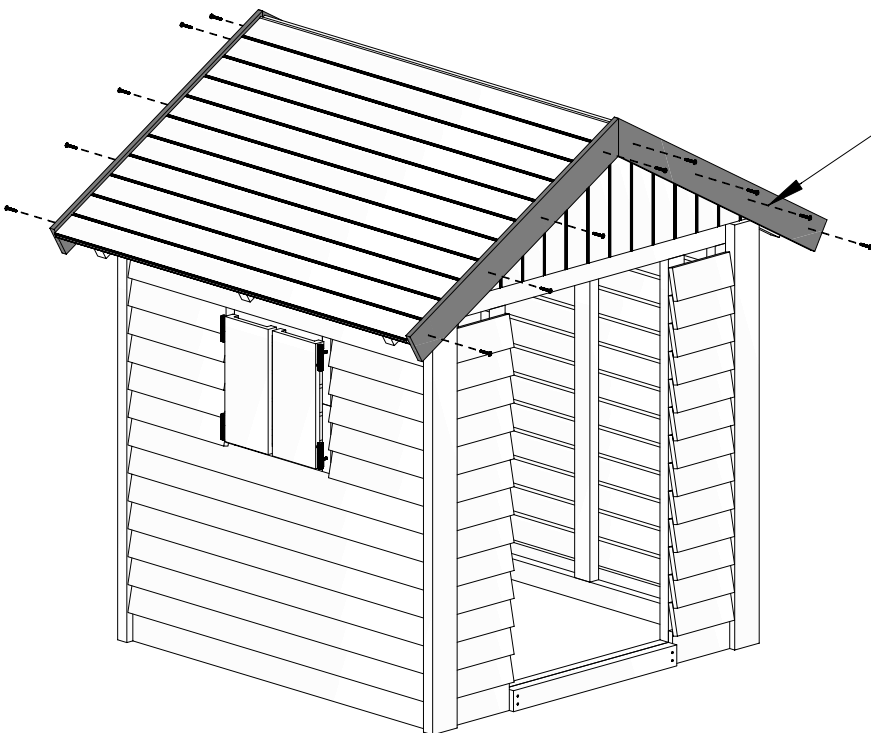
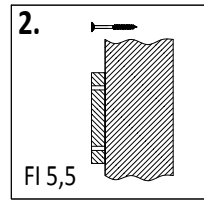
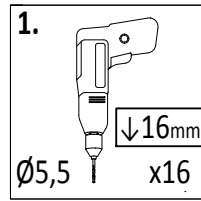
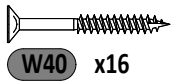


H-13 1,6x9,0x134cm x20

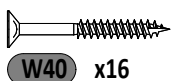


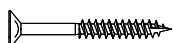
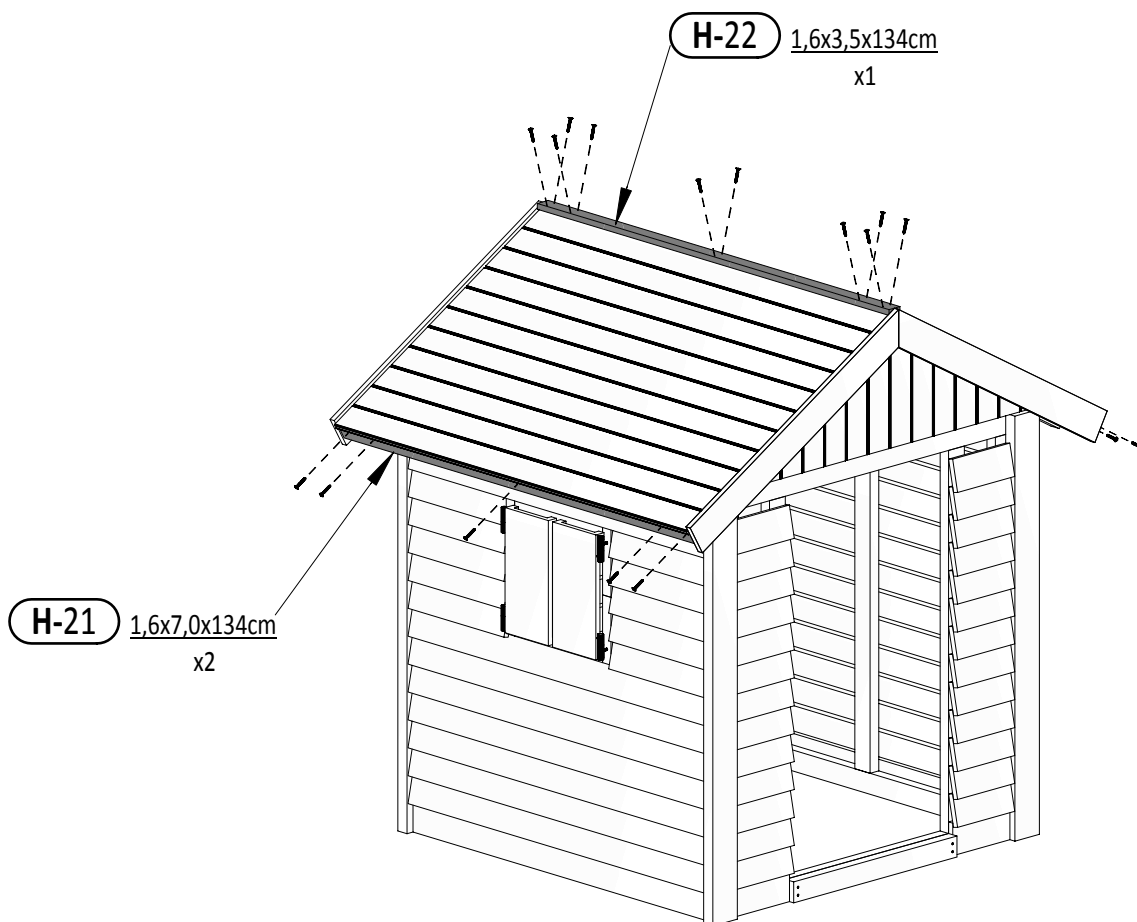
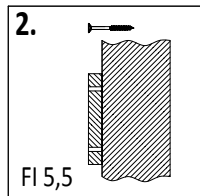
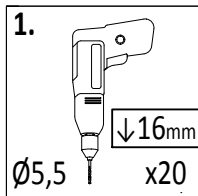


H-6 3,2x5,8x85cm
x4

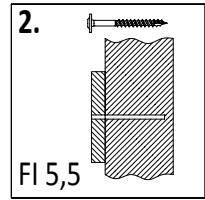
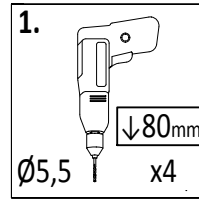
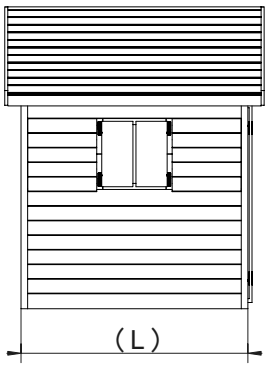


H-16 1,6x9,0x88,5cm
x4



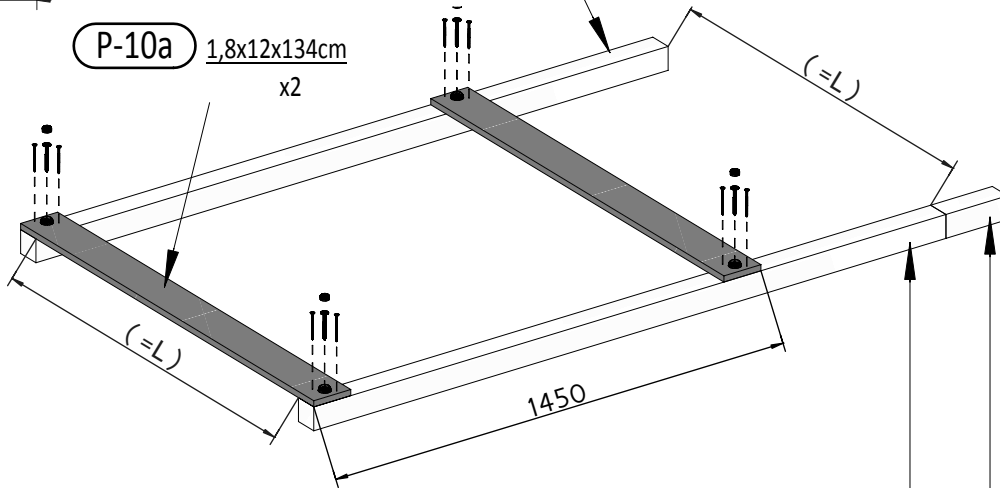


W40 x20



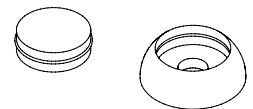
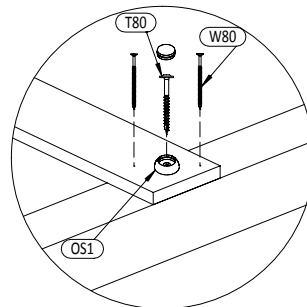
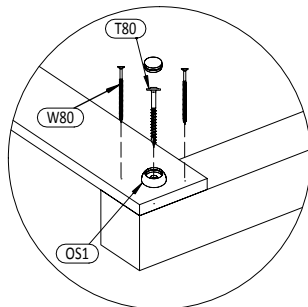
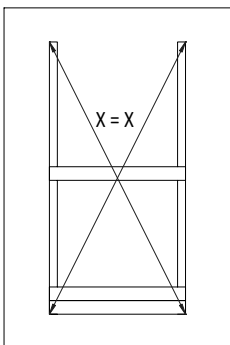
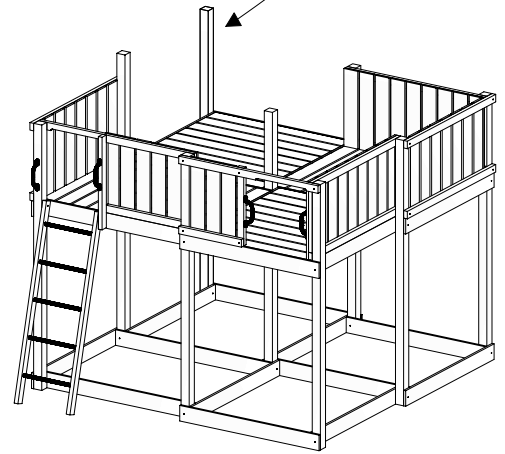
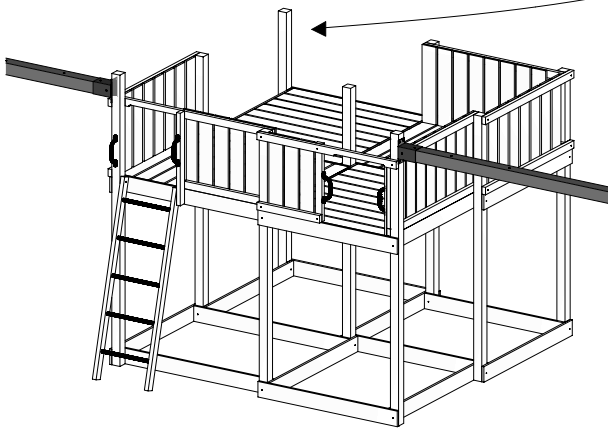
P-2 7,0x7,0x205cm x1

P-10a 1,8x12x134cm x2

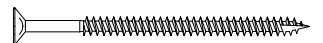


P-2 7,0x7,0x205cm x1

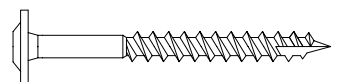
P-1 7,0x7,0x225cm x1



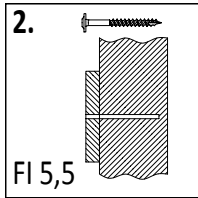
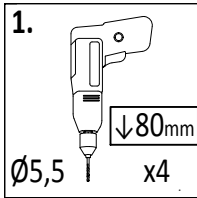
OS1 x4



W80 x8

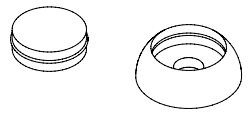
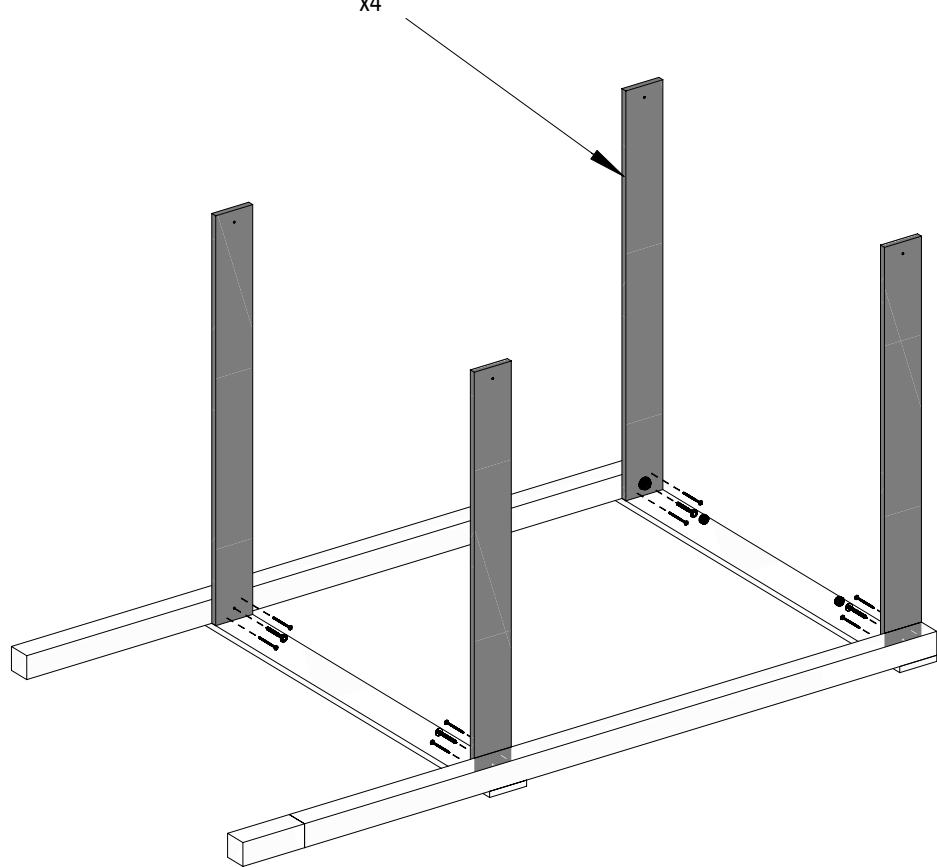


T80 x4

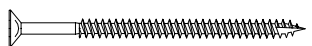


P-11a 1,8x12,0x120cm

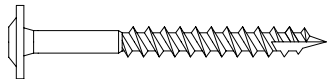
x4



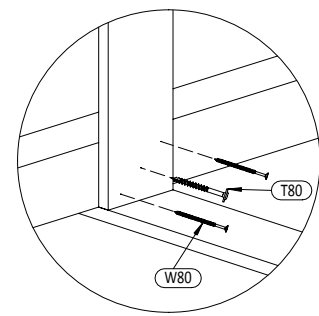
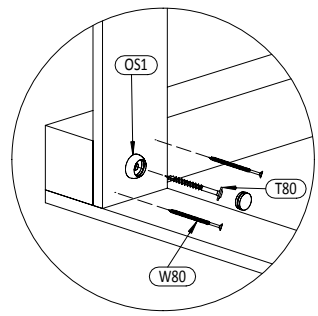
OS1 x2

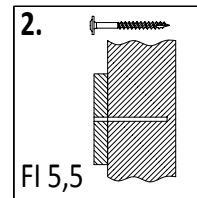
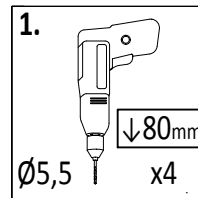
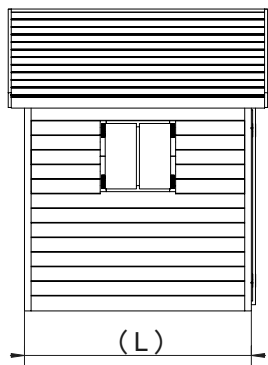


W80 x8

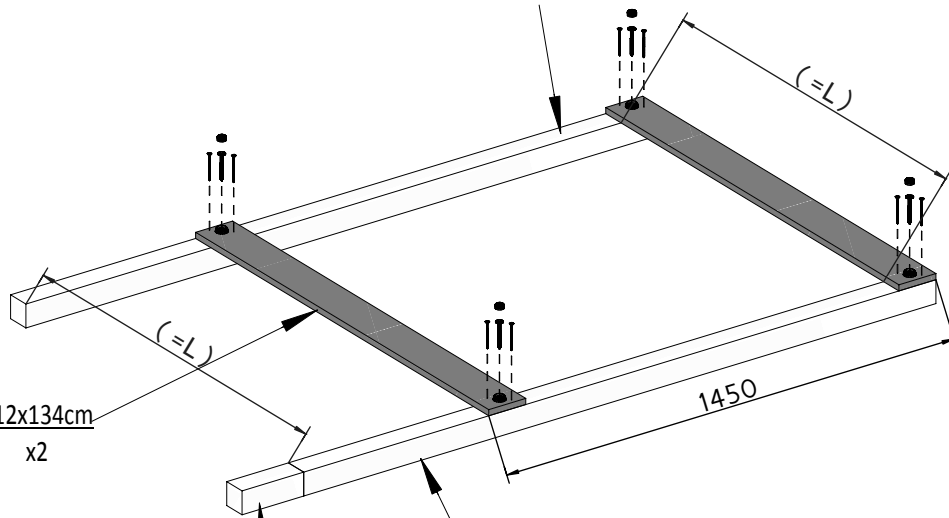


T80 x4





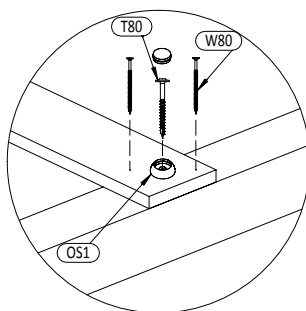
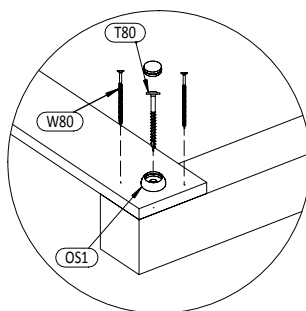
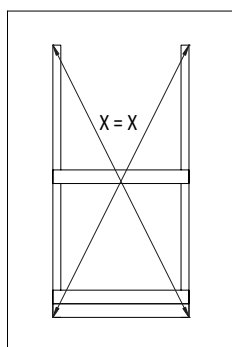
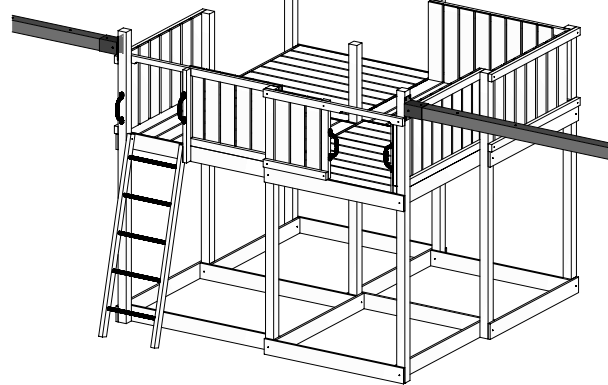
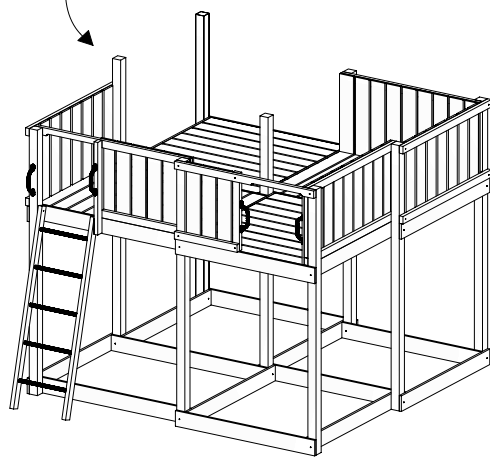
P-2 7,0x7,0x205cm x1



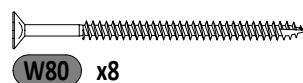
P-10a 1,8x12x134cm x2

P-1 7,0x7,0x225cm x1

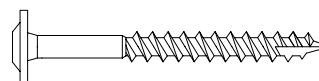
P-2 7,0x7,0x205cm x1



OS1 x4

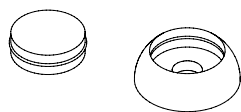
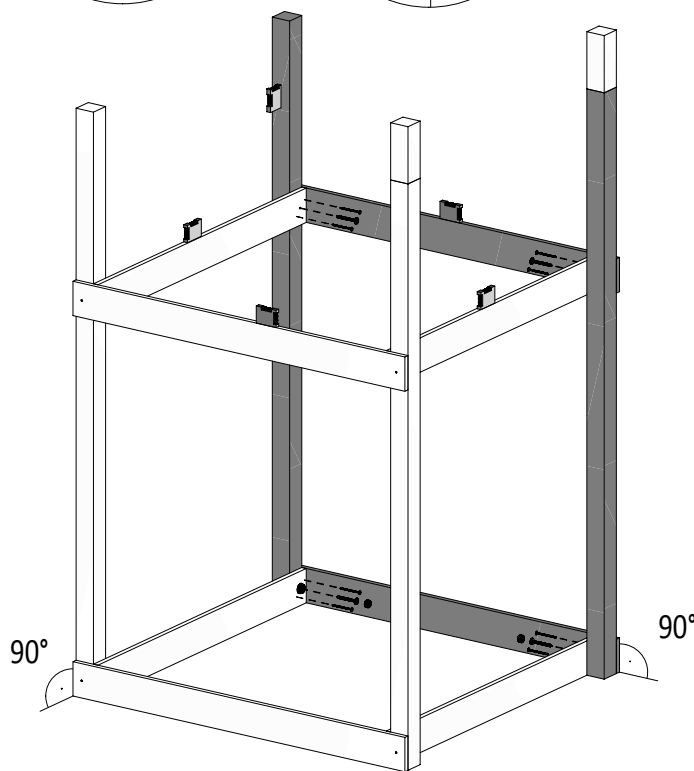
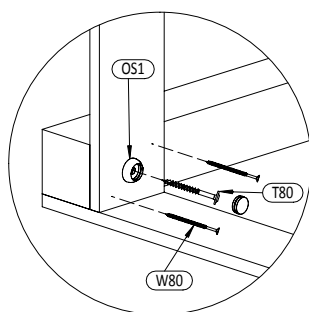
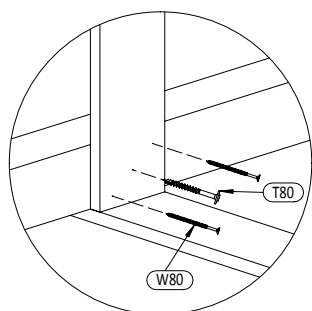
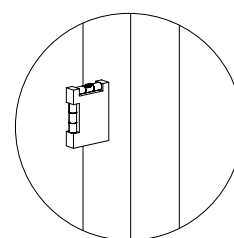
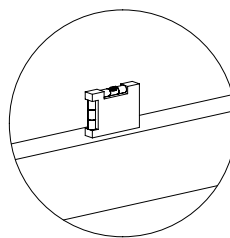
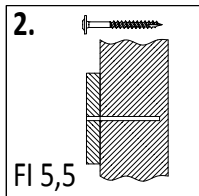
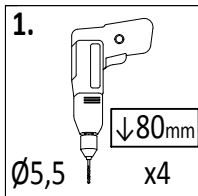


W80 x8



T80 x4

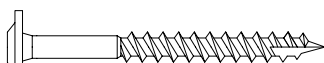
25



OS1 x2

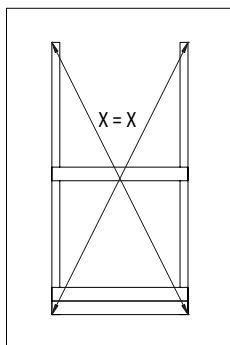
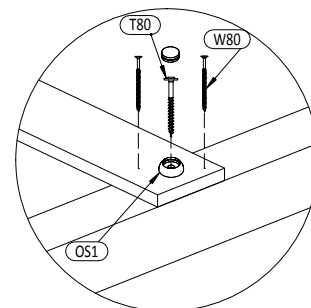
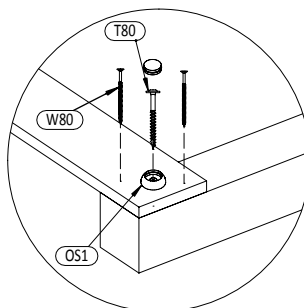
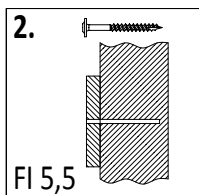
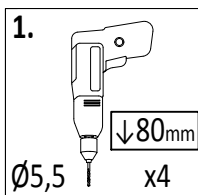


W80 x8



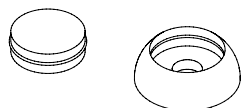
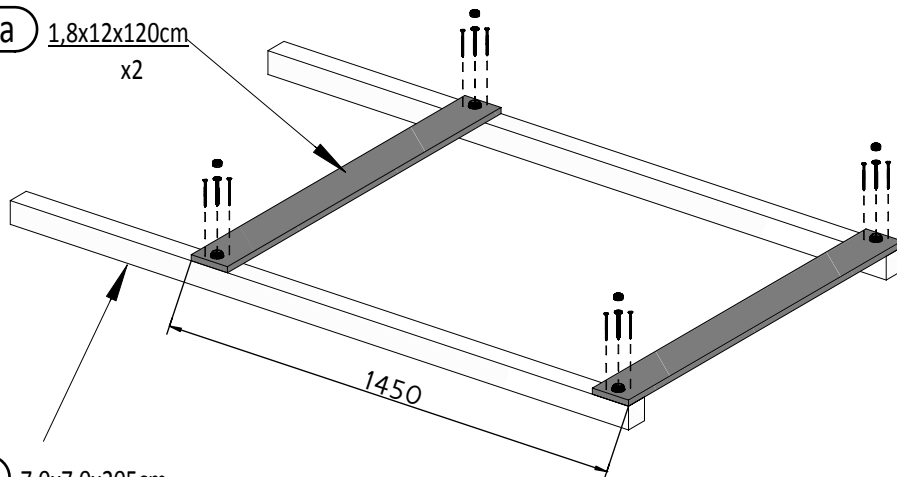
T80 x4

26



P-11a 1,8x12x120cm
x2

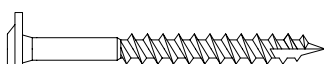
P-2 7,0x7,0x205cm
x2



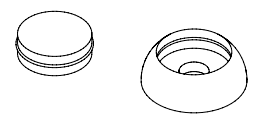
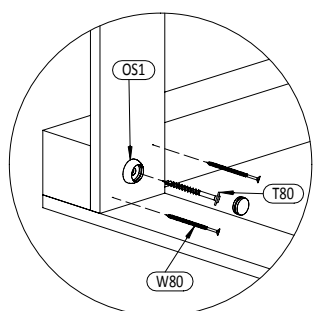
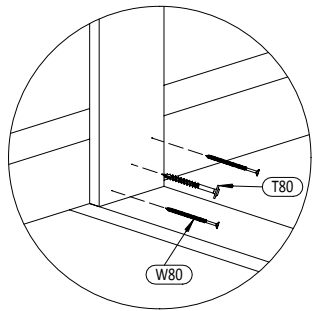
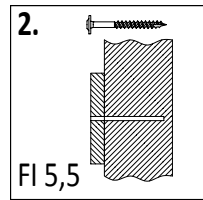
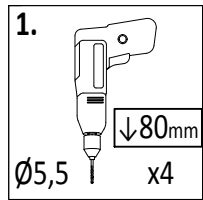
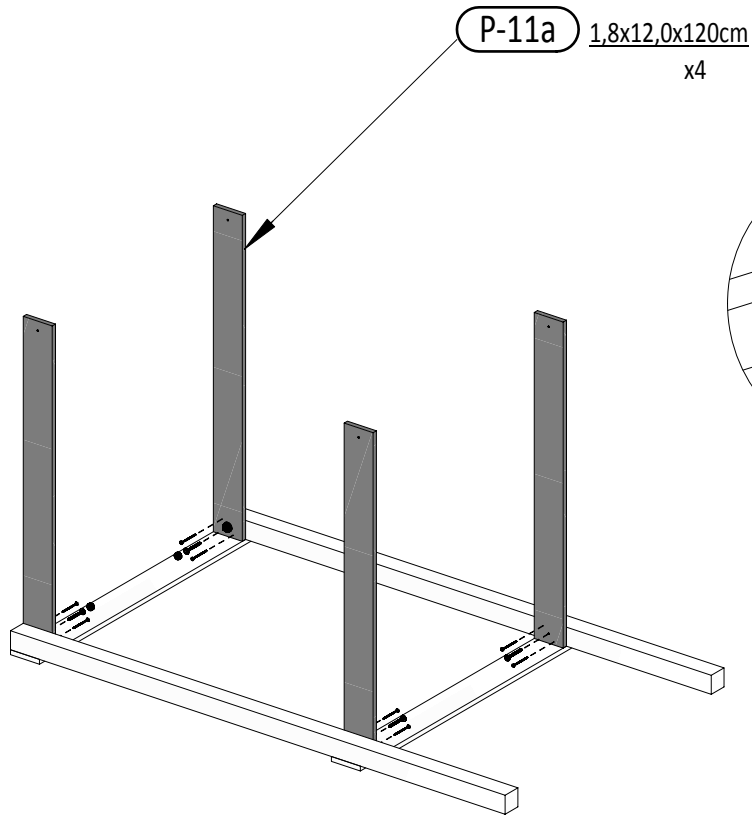
OS1 x4



W80 x8



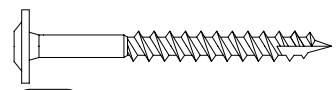
T80 x4



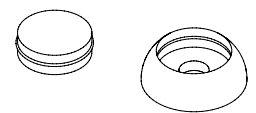
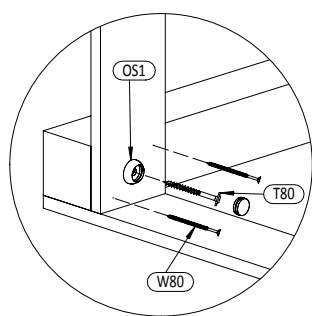
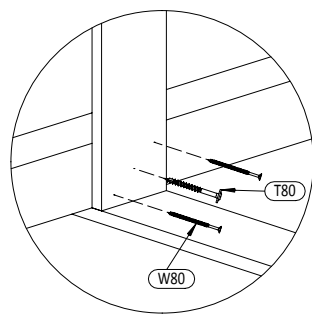
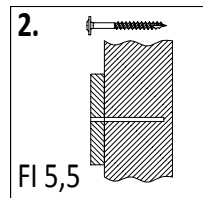
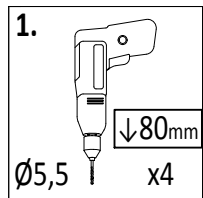
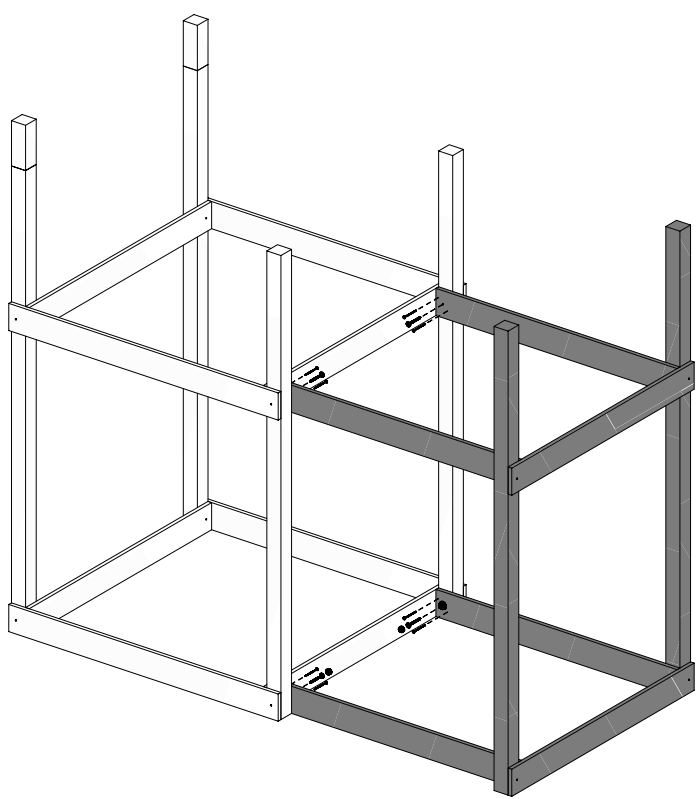
OS1 x2



W80 x8



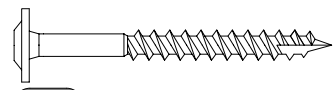
T80 x4



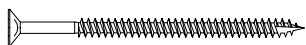
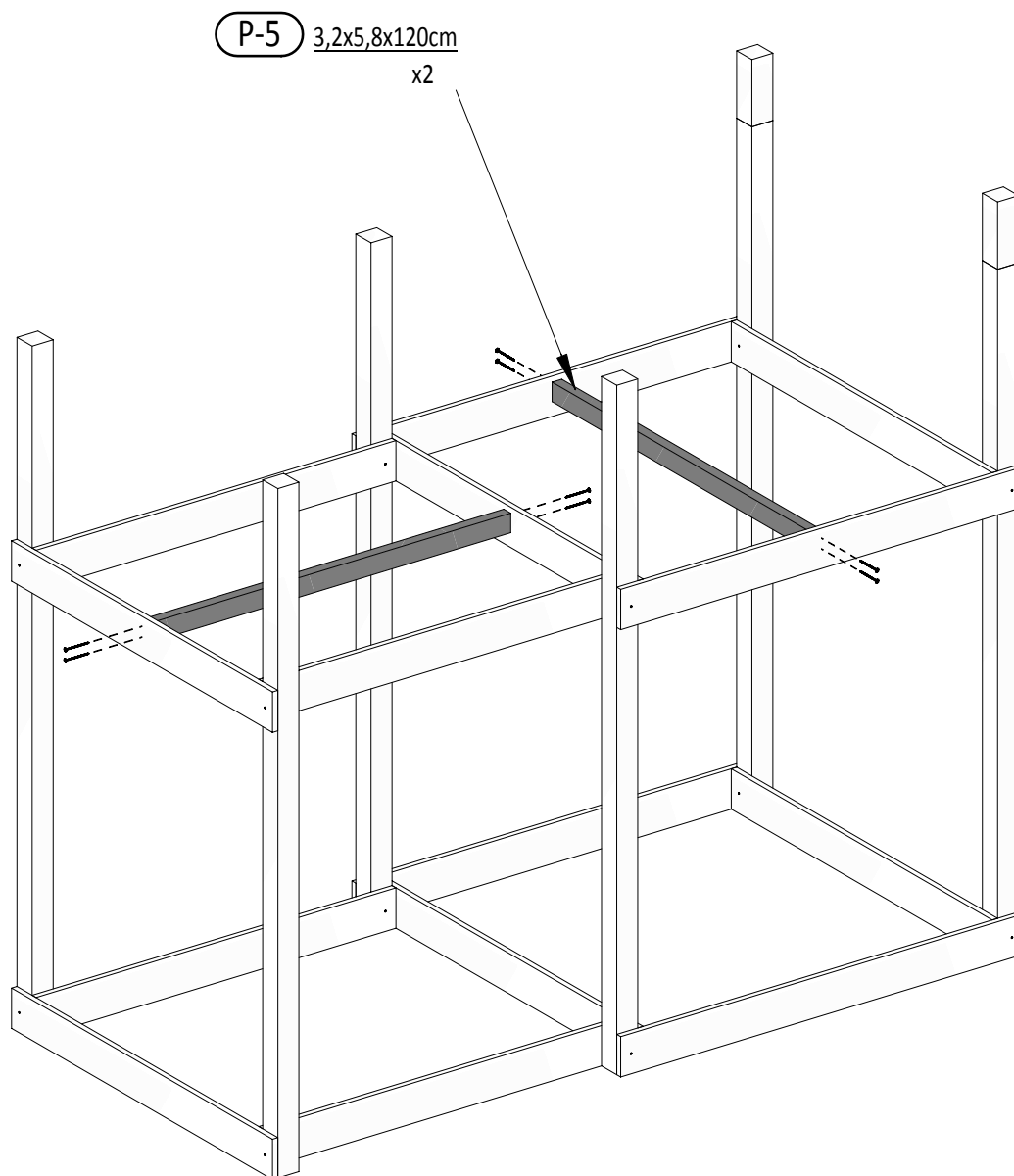
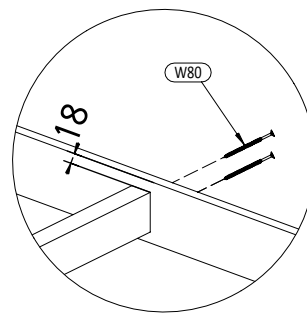
OS1 x2



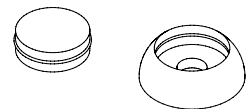
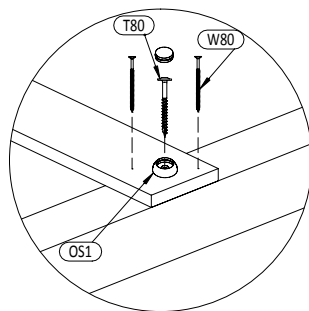
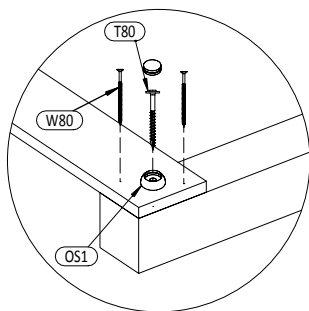
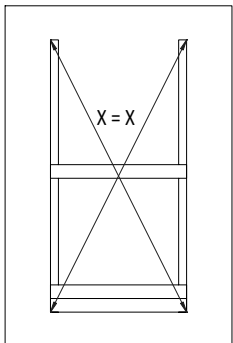
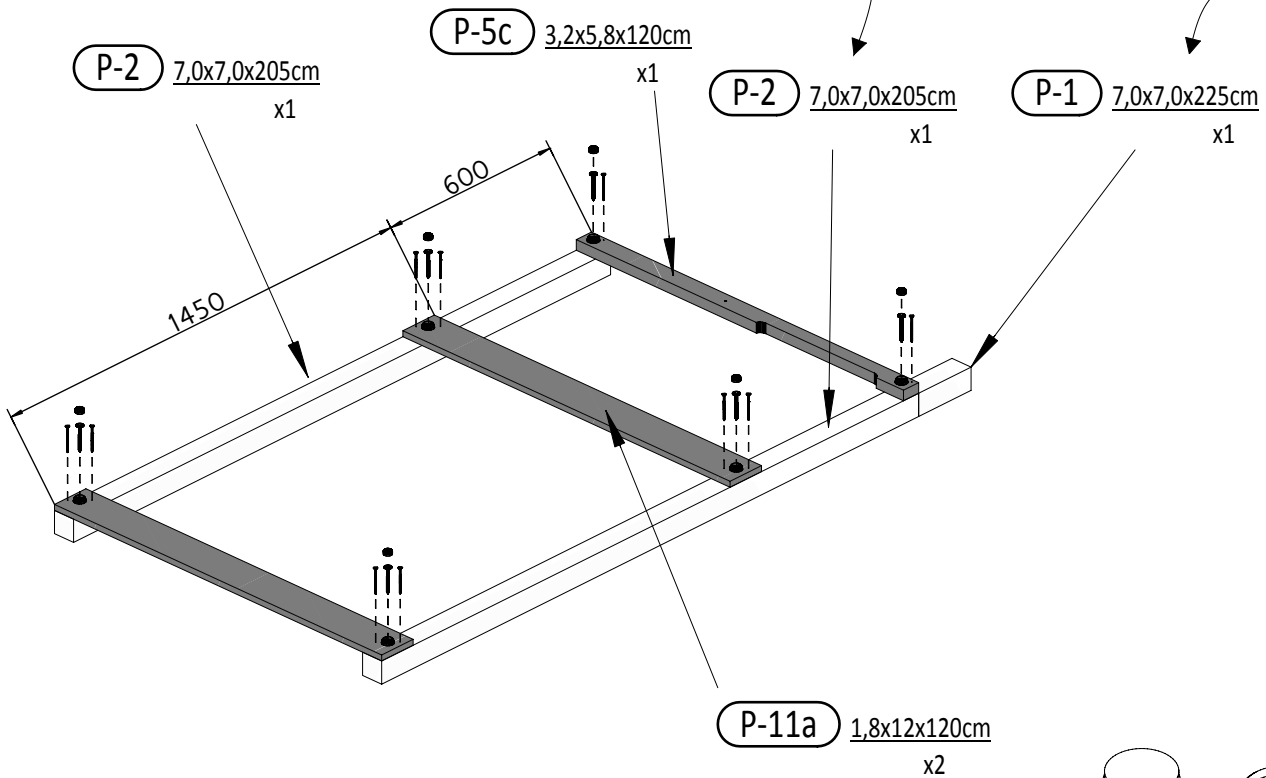
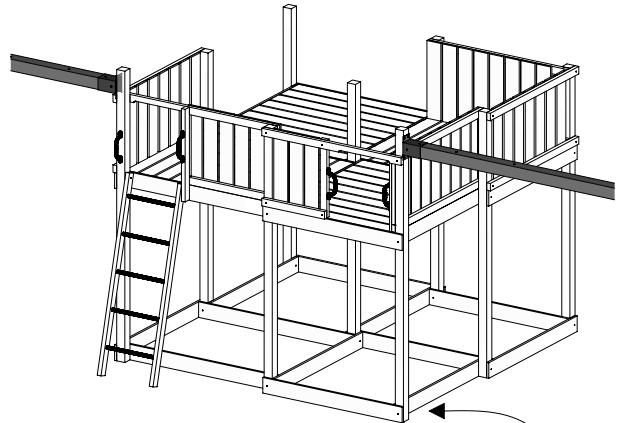
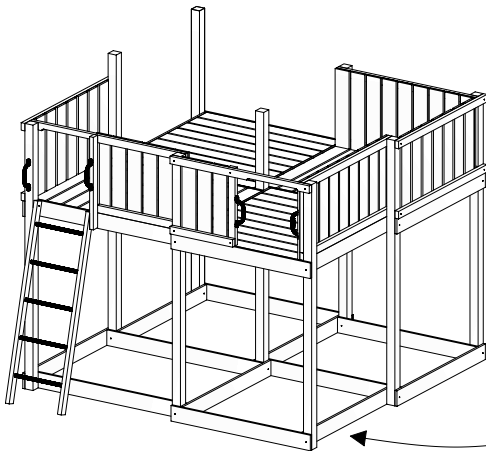
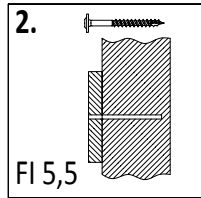
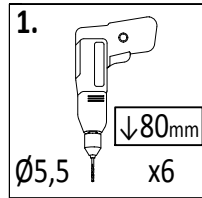
W80 x8



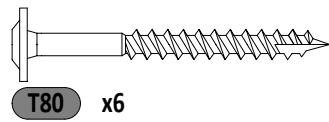
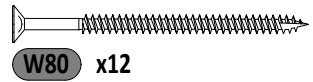
T80 x4



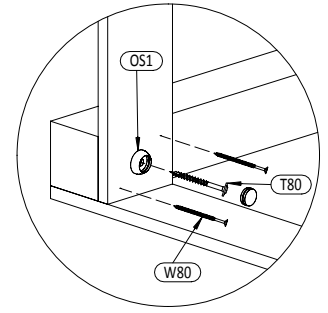
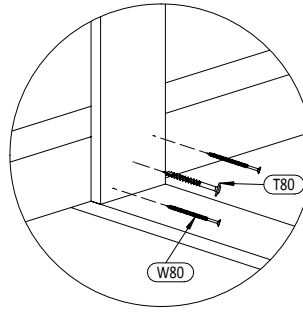
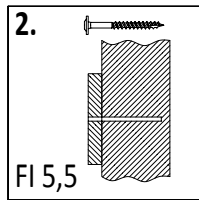
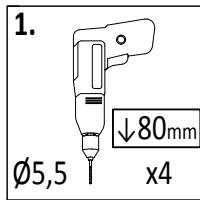
W80 x8



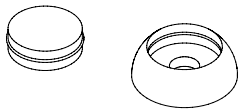
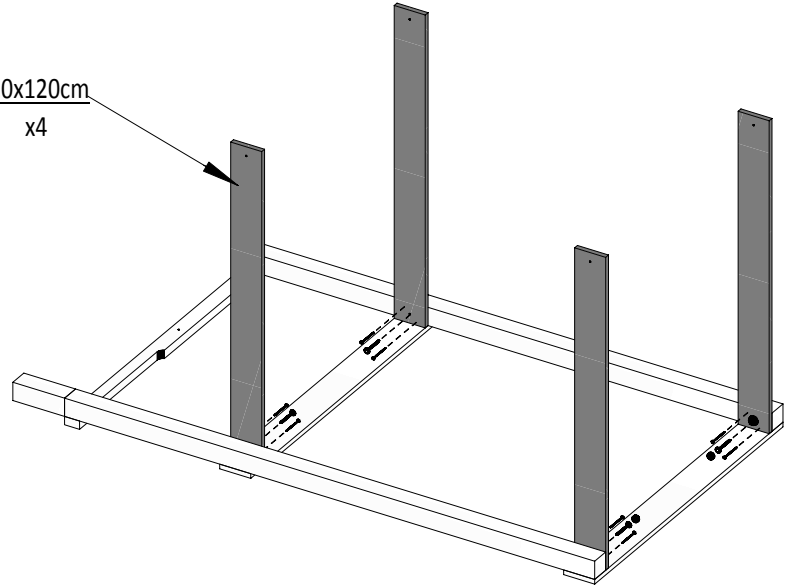
OS1 x6



31



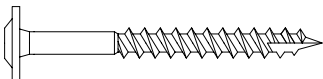
P-11a 1,8x12,0x120cm
 x4



OS1 x2

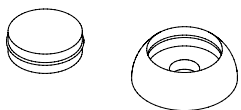
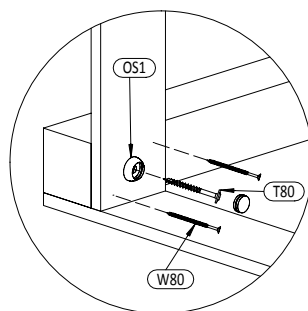
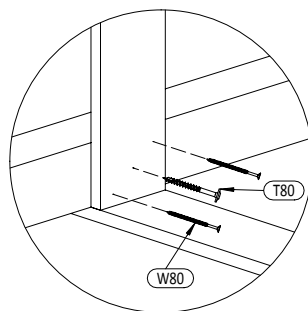
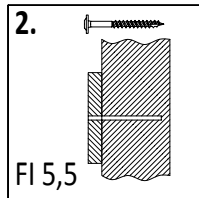
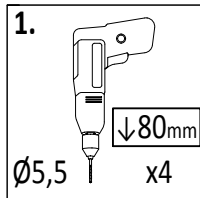


W80 x8



T80 x4

32



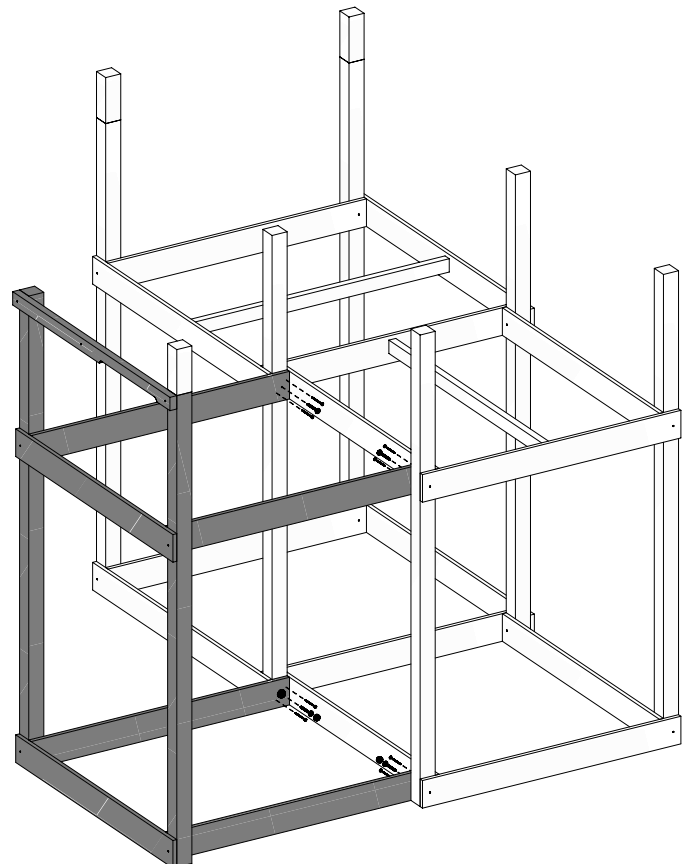
OS1 x2

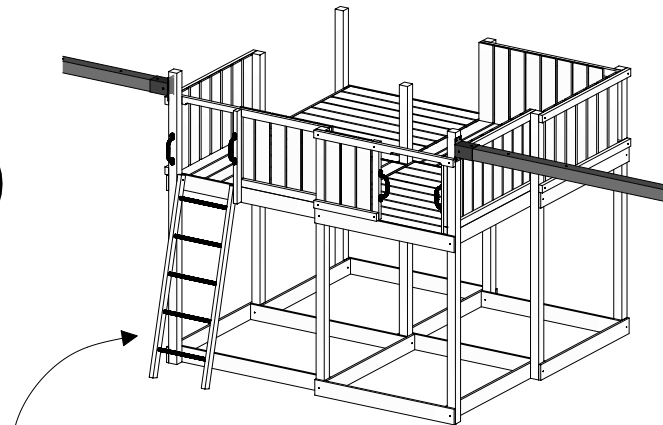
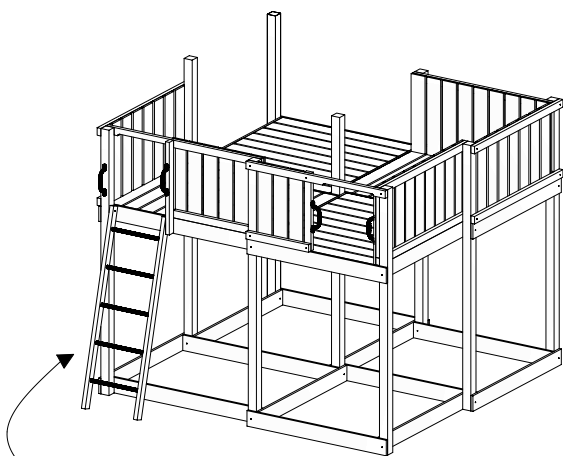
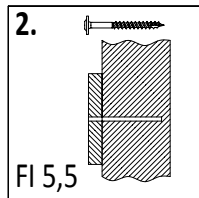
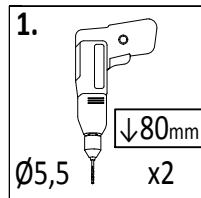


W80 x8



T80 x4

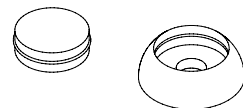
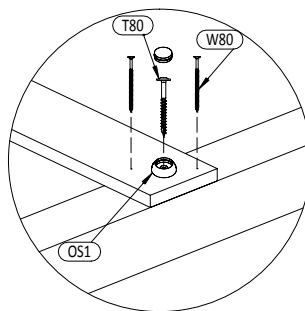
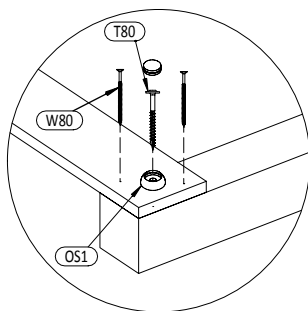
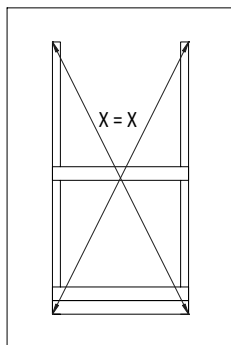
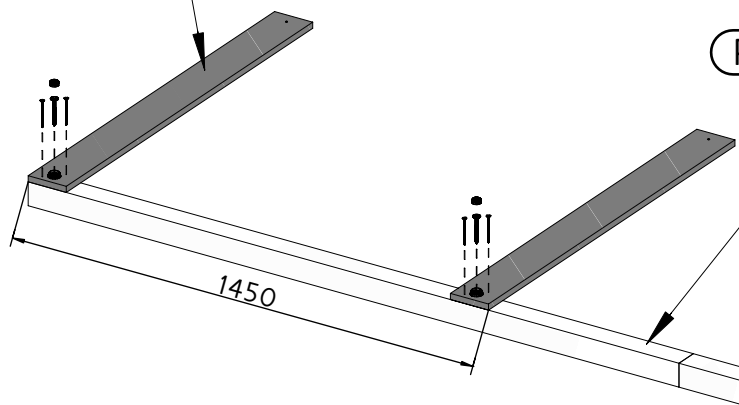




P-11a 1,8x12x120cm
x2

P-2 7,0x7,0x205cm
x1

P-1 7,0x7,0x225cm
x1



OS1 x2

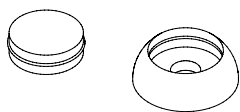
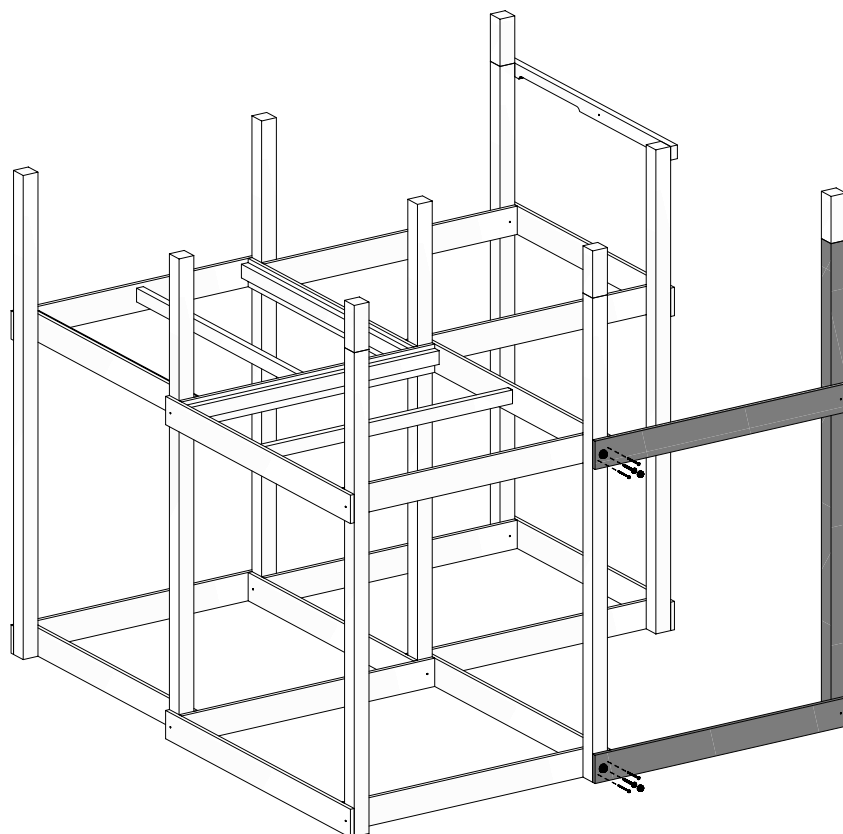
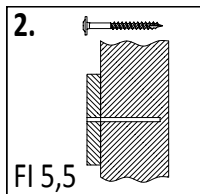
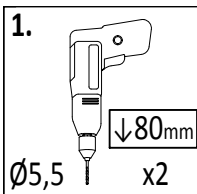


W80 x4

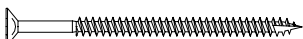


T80 x2

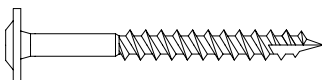
34



OS1 x2

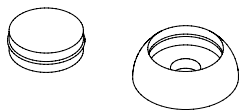
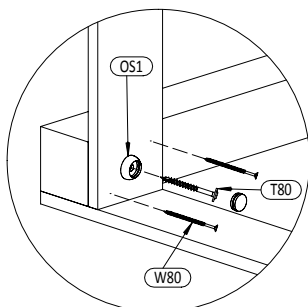
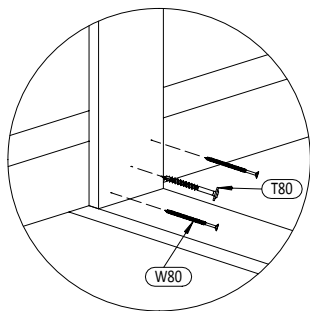
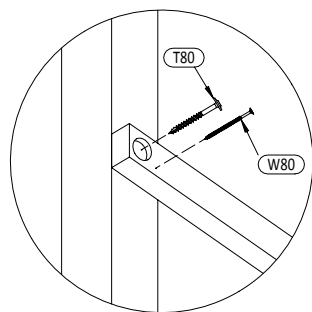
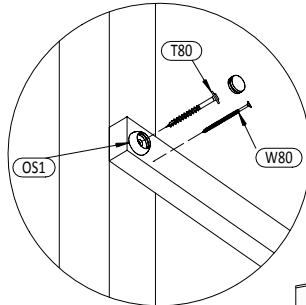
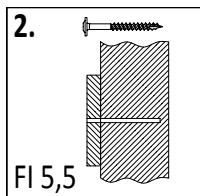
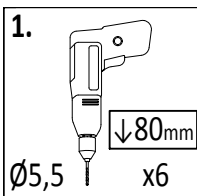


W80 x4

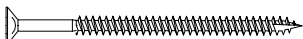


T80 x2

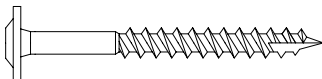
35



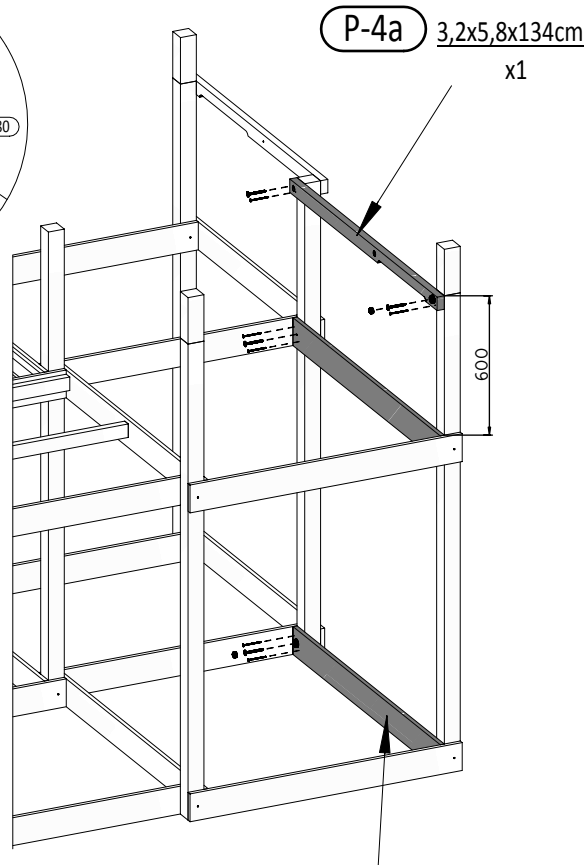
OS1 x3



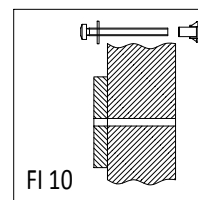
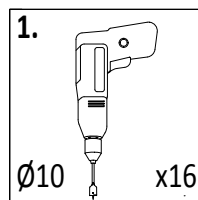
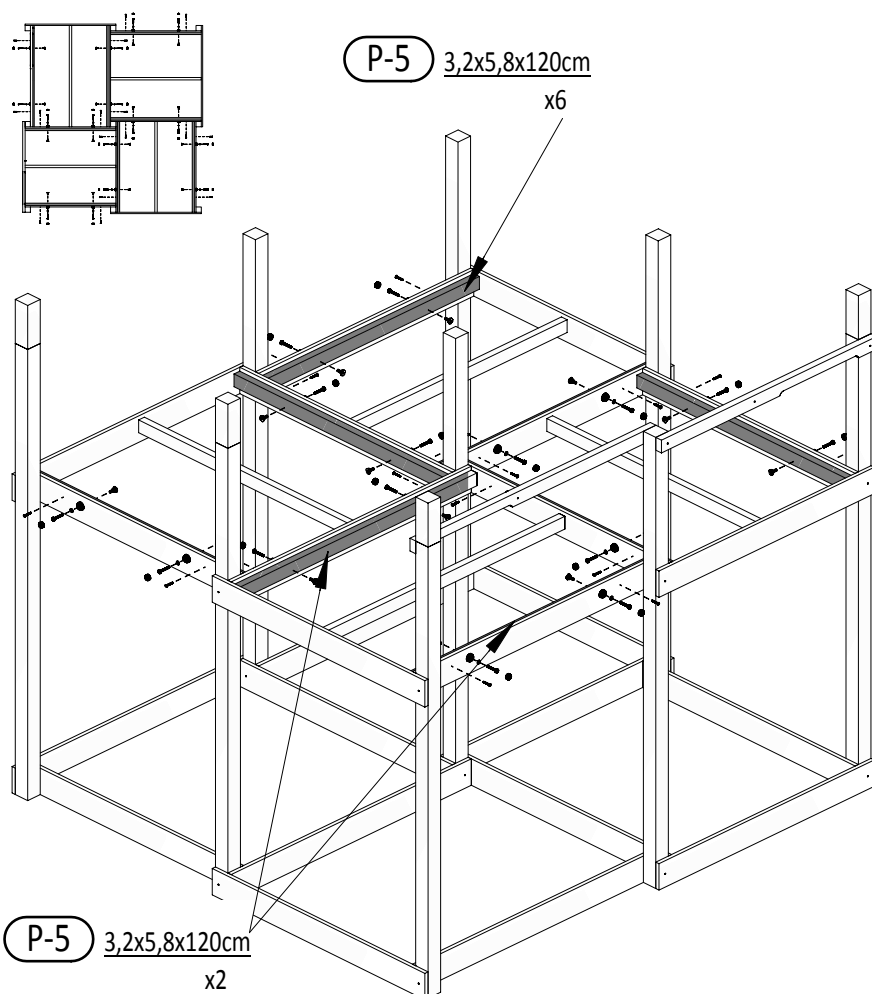
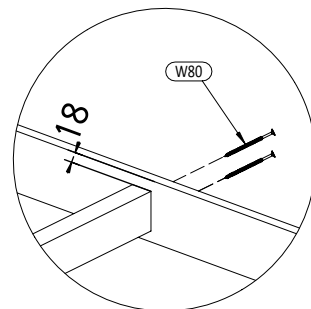
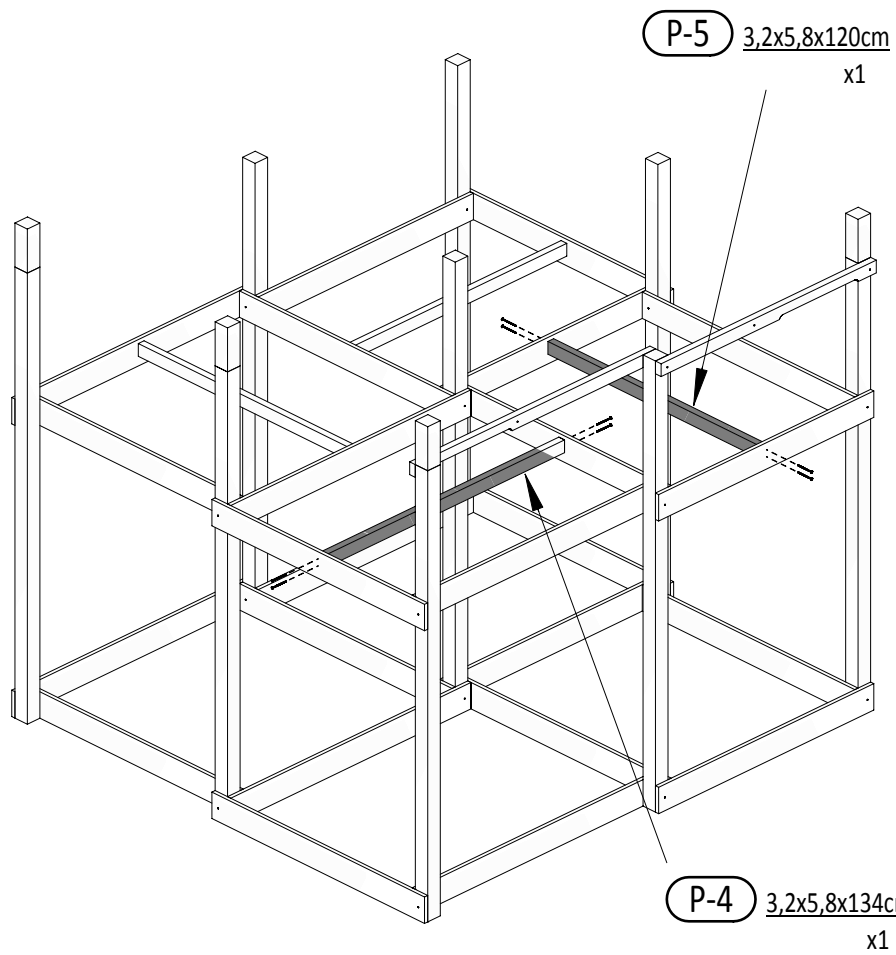
W80 x10



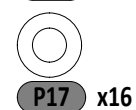
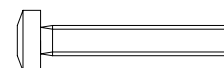
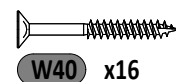
T80 x6



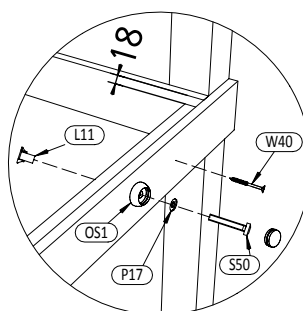
P-10a 1,8x12x134cm x2



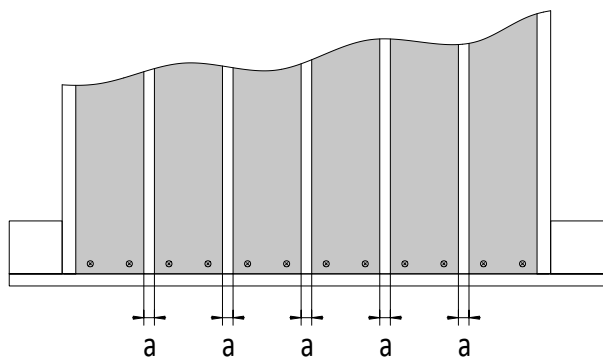
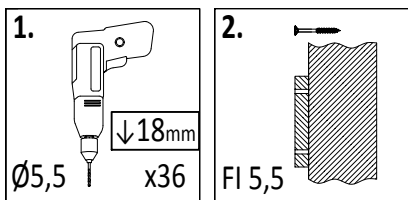
OS1 x16



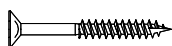
L11 x16



38

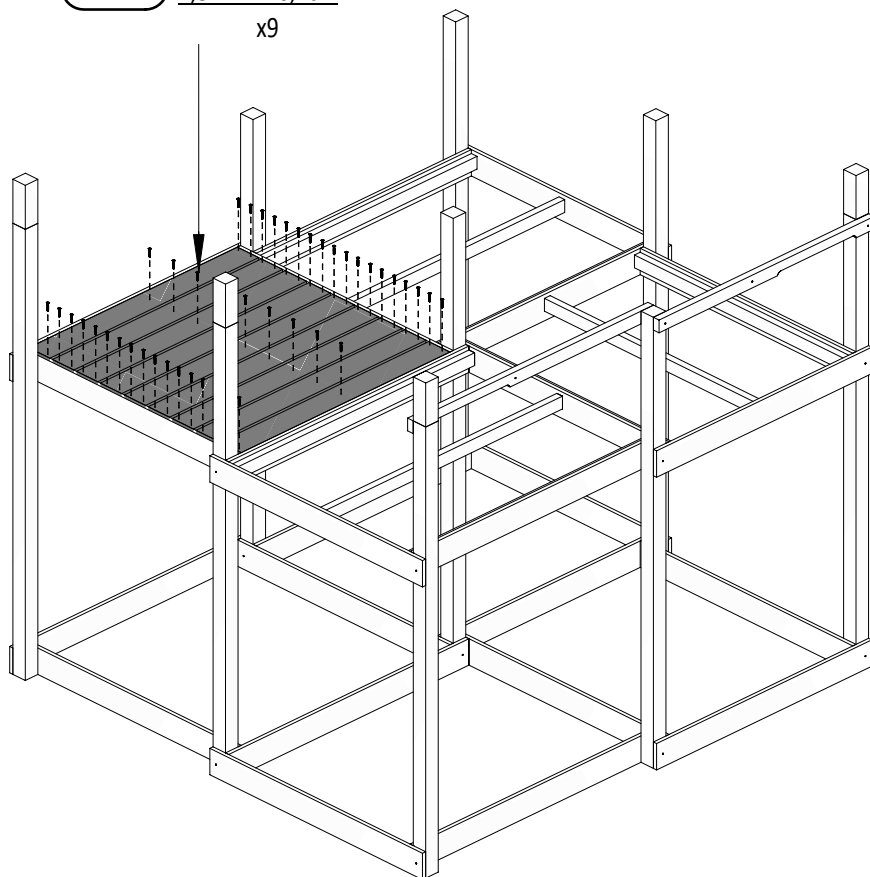


!!!min 13mm < a < !!!max 15mm

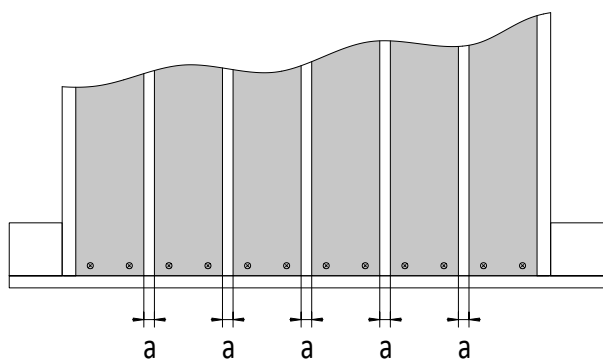
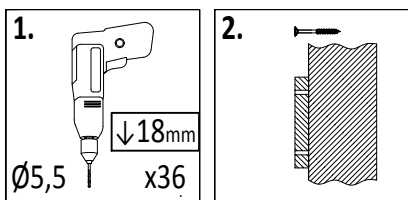


W40 x45

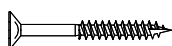
P-12 1,8x12x116,4cm
x9



39

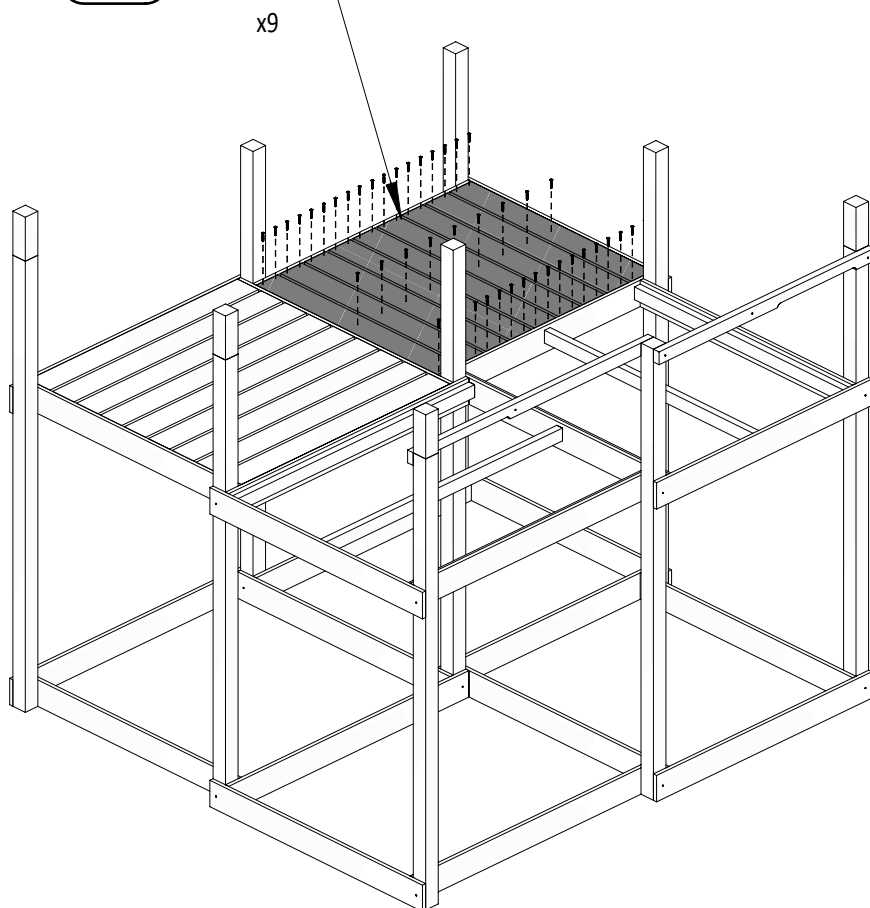


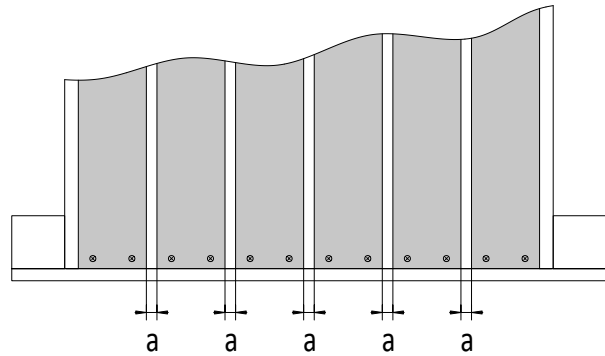
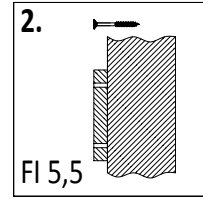
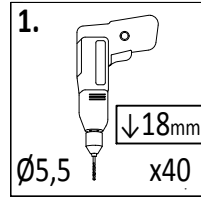
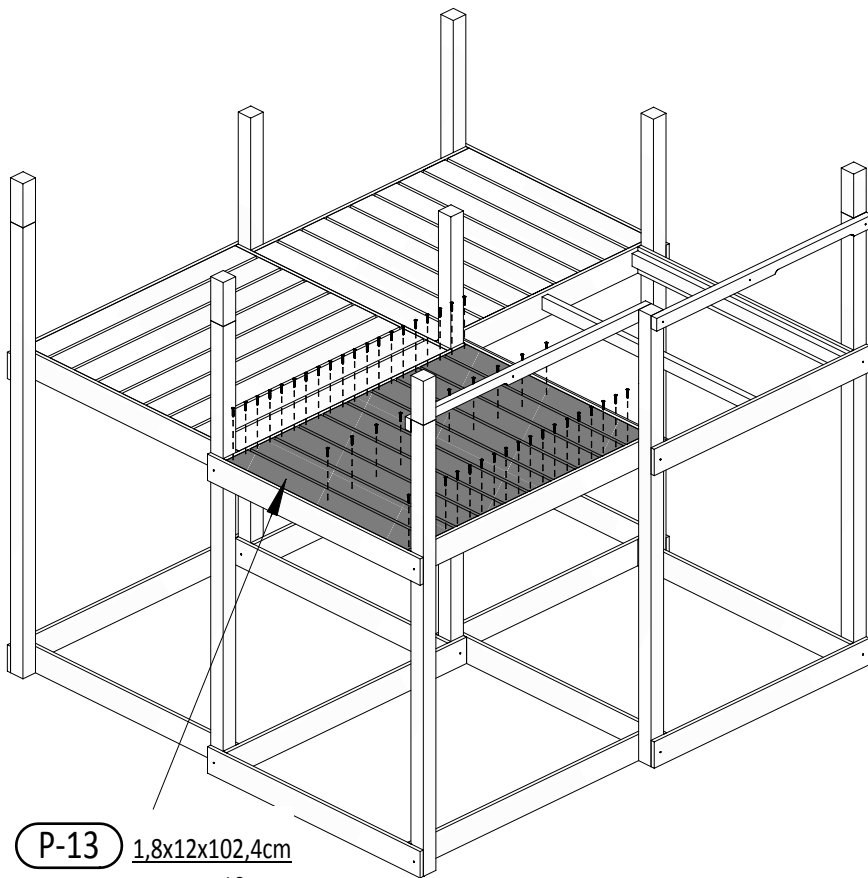
!!!min 13mm < a < !!!max 15mm



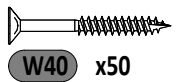
W40 x45

P-13 1,8x12x102,4cm
x9

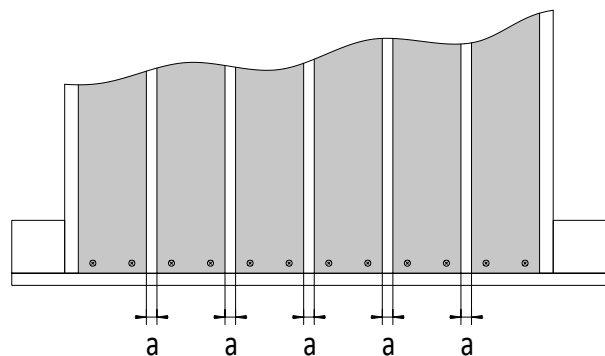
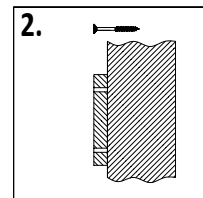
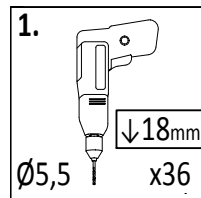
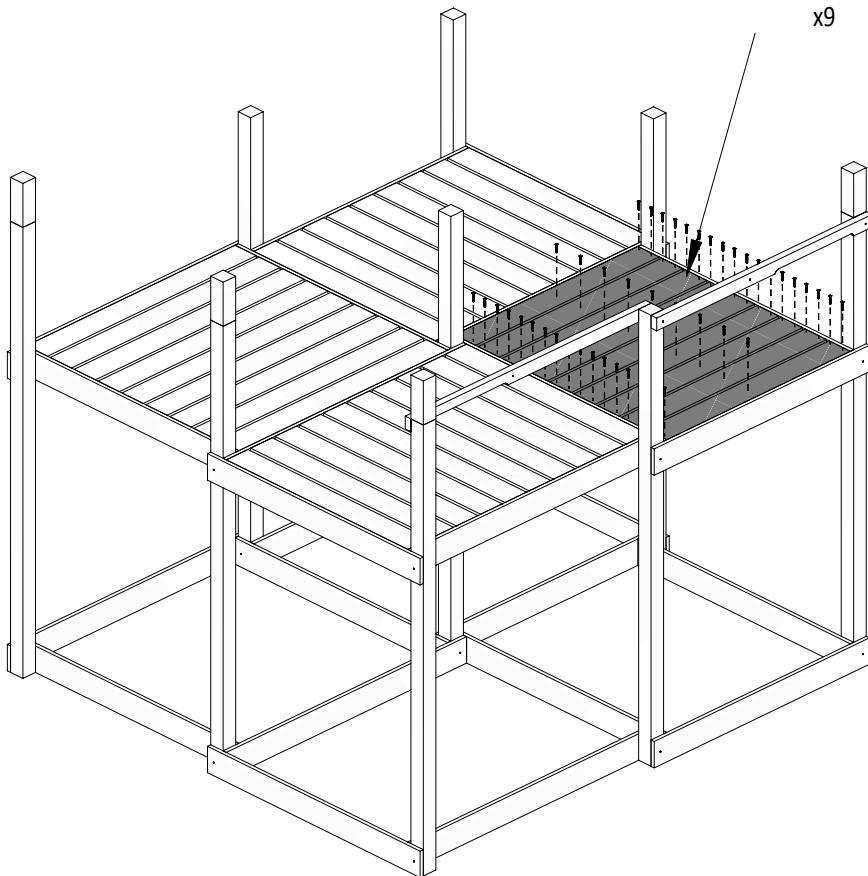




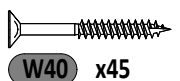
!!!min 13mm < **a** <!!!max 15mm



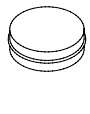
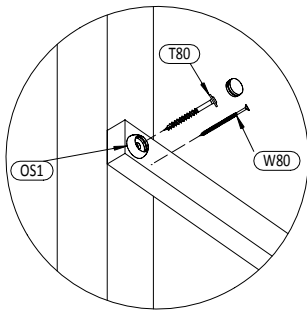
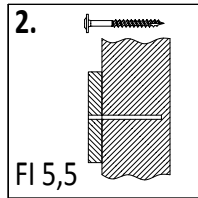
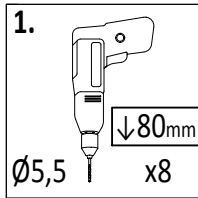
P-13 1,8x12x102,4cm
x9



!!!min 13mm < **a** <!!!max 15mm



42



OS1 x8



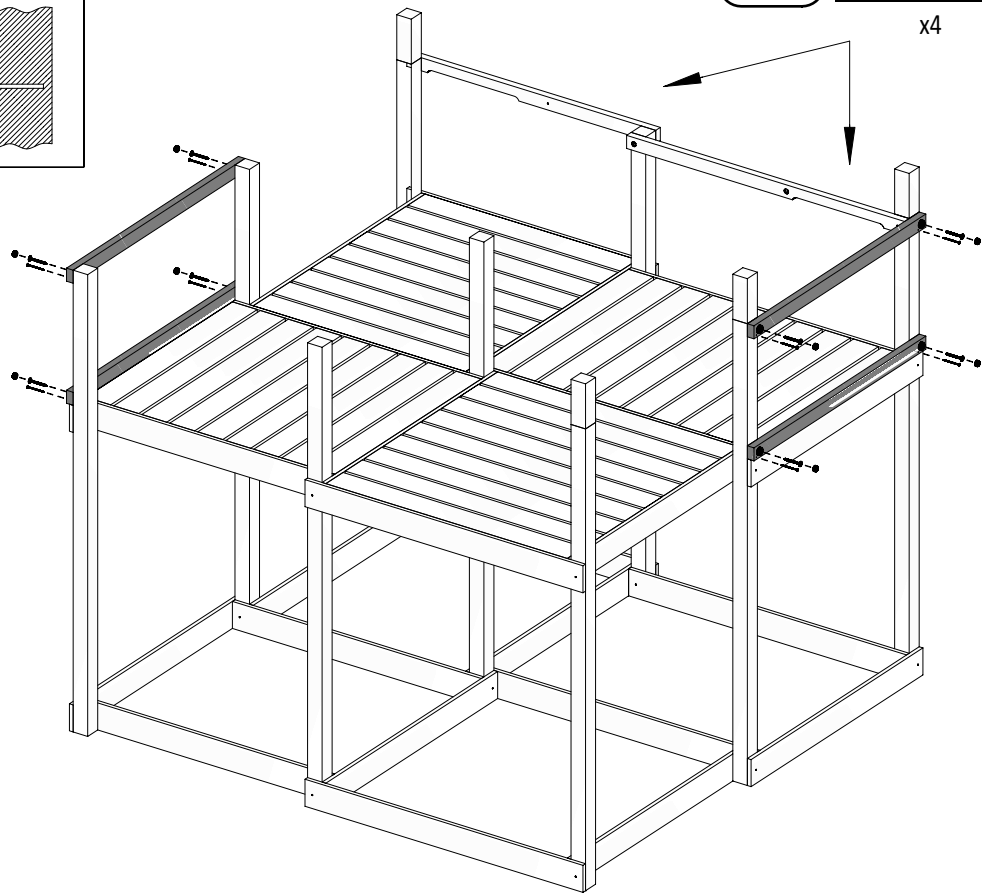
W80 x8



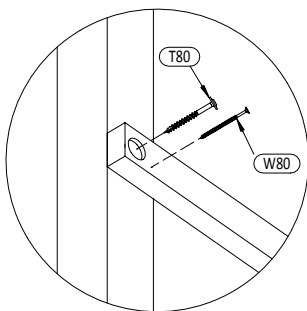
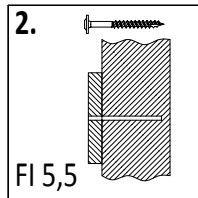
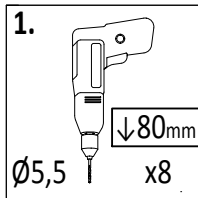
T80 x8

P-5a 3,2x5,8x120cm

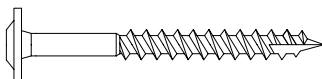
x4



43



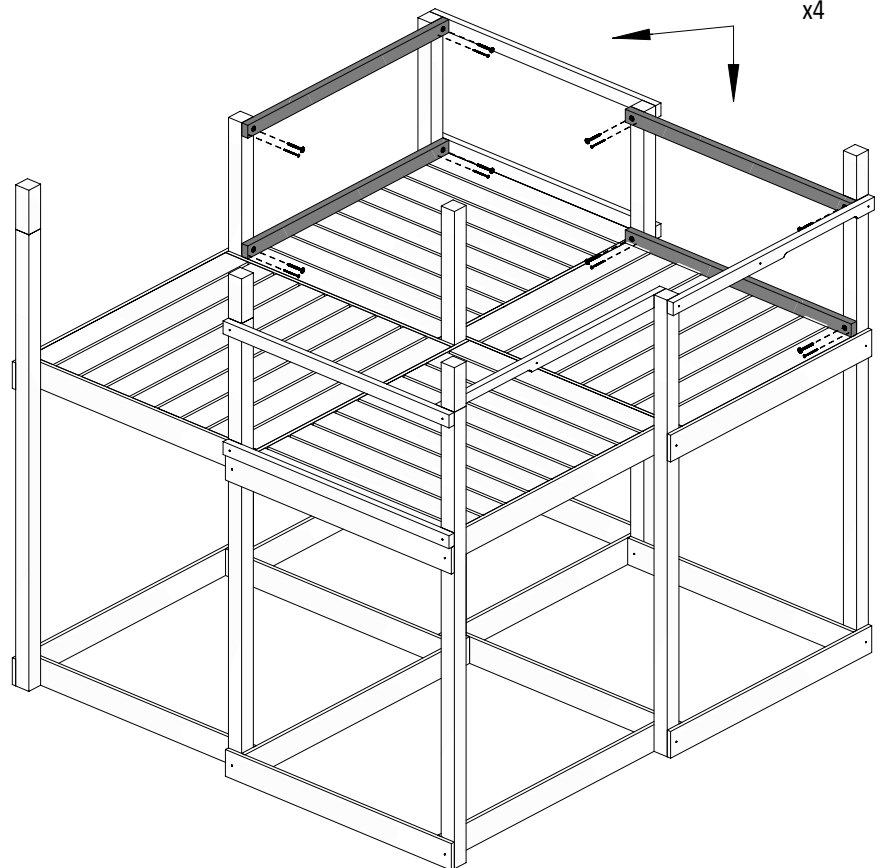
W80 x8



T80 x8

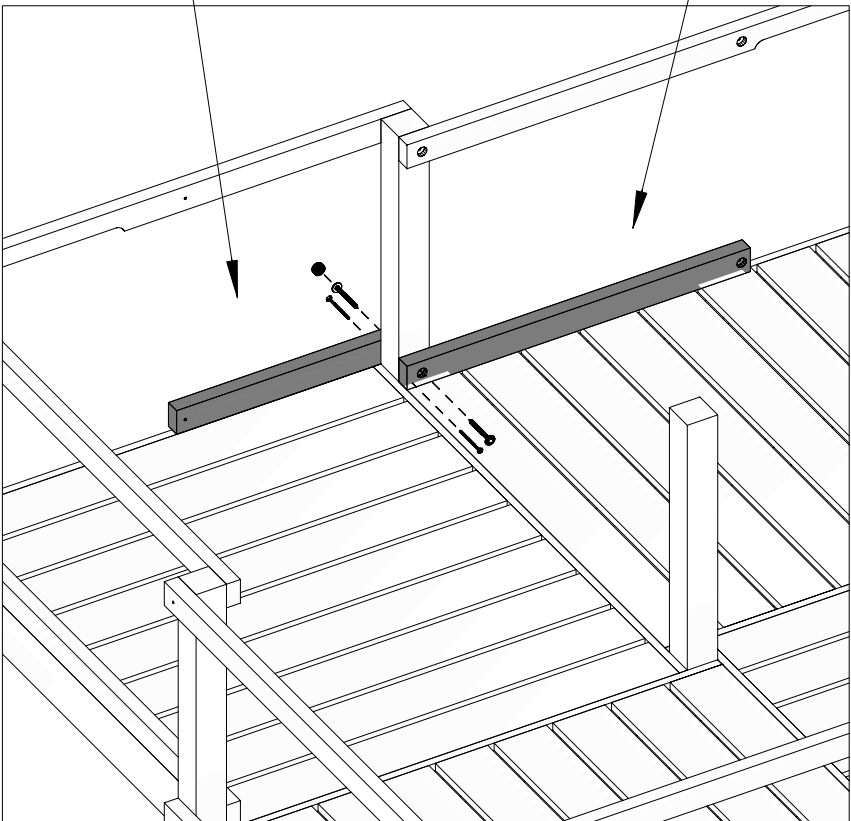
P-5b 3,2x5,8x120cm

x4



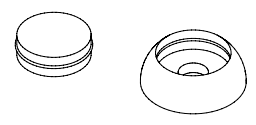
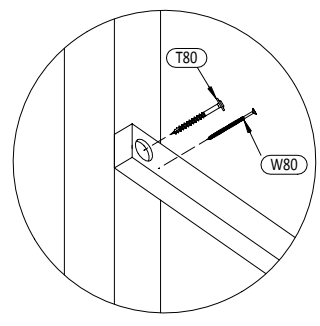
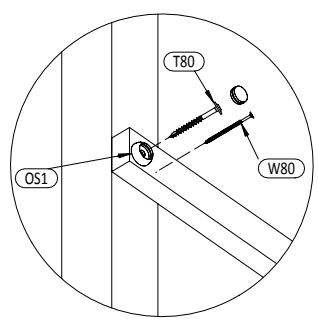
P-9a 3,2x5,8x54cm x1

P-6a 3,2x5,8x79cm x1

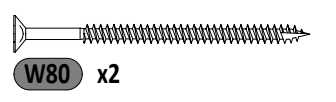


1. $\downarrow 80\text{mm}$
 $\varnothing 5,5$ x2

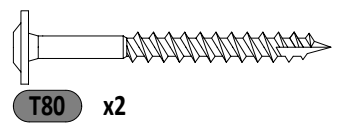
2. FI 5,5



OS1 x1



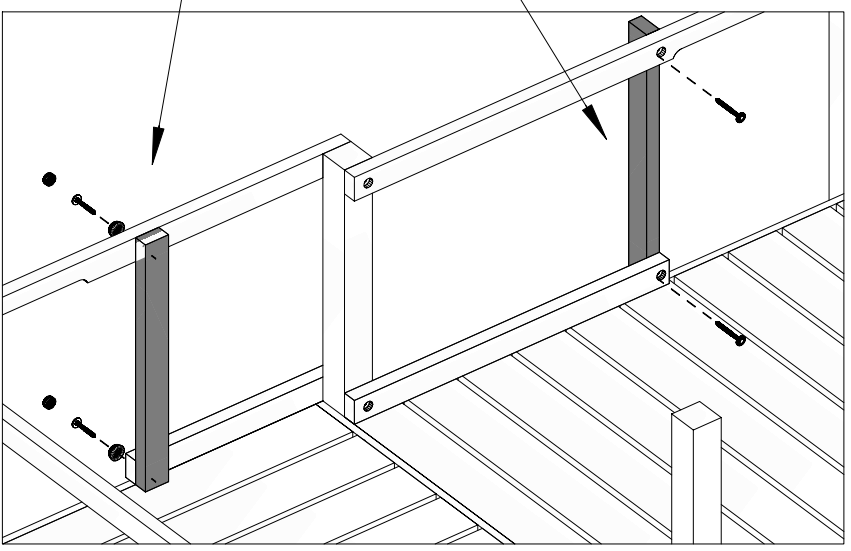
W80 x2



T80 x2

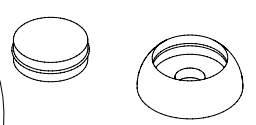
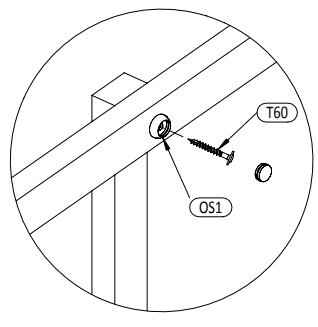
P-8 3,2x5,8x60cm x1

P-7 3,2x5,8x71,5cm x1

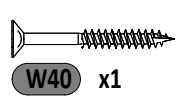


1. $\downarrow 60\text{mm}$
 $\varnothing 5,5$ x4

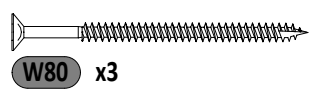
2. FI 5,5



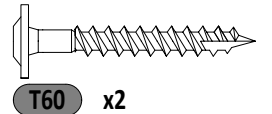
OS1 x2



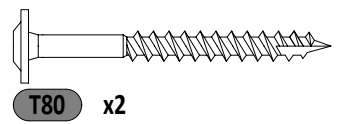
W40 x1



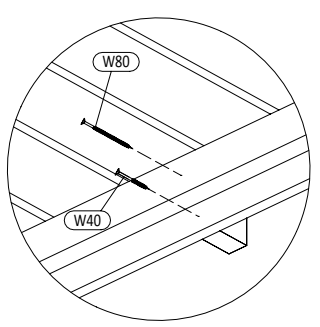
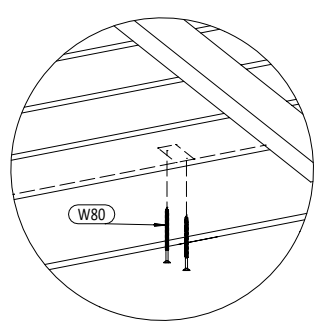
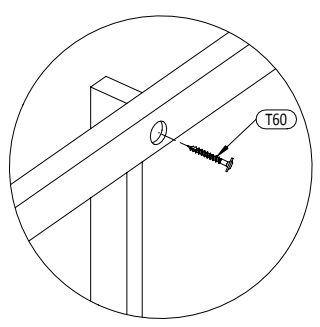
W80 x3



T60 x2

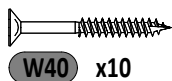
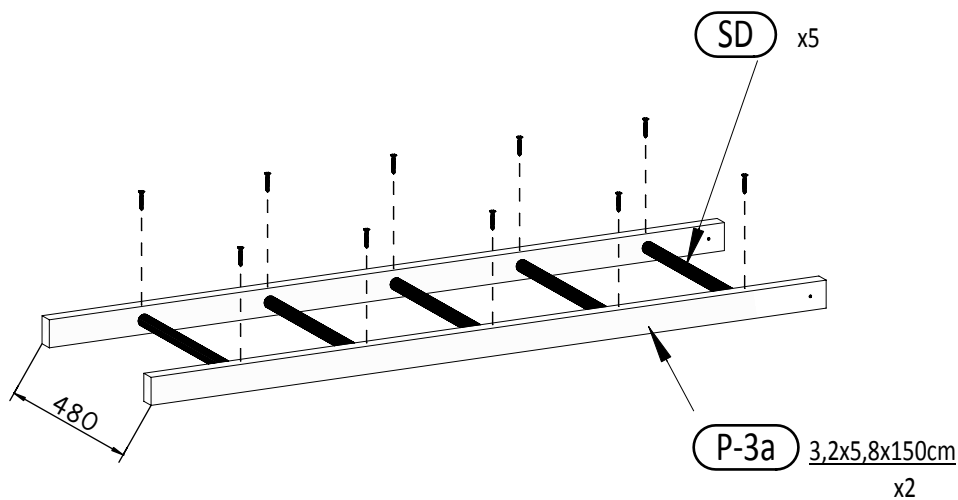
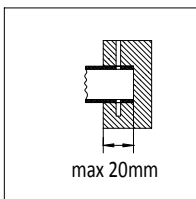
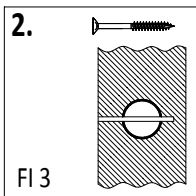
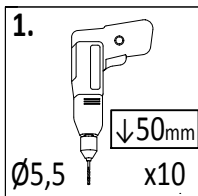


T80 x2

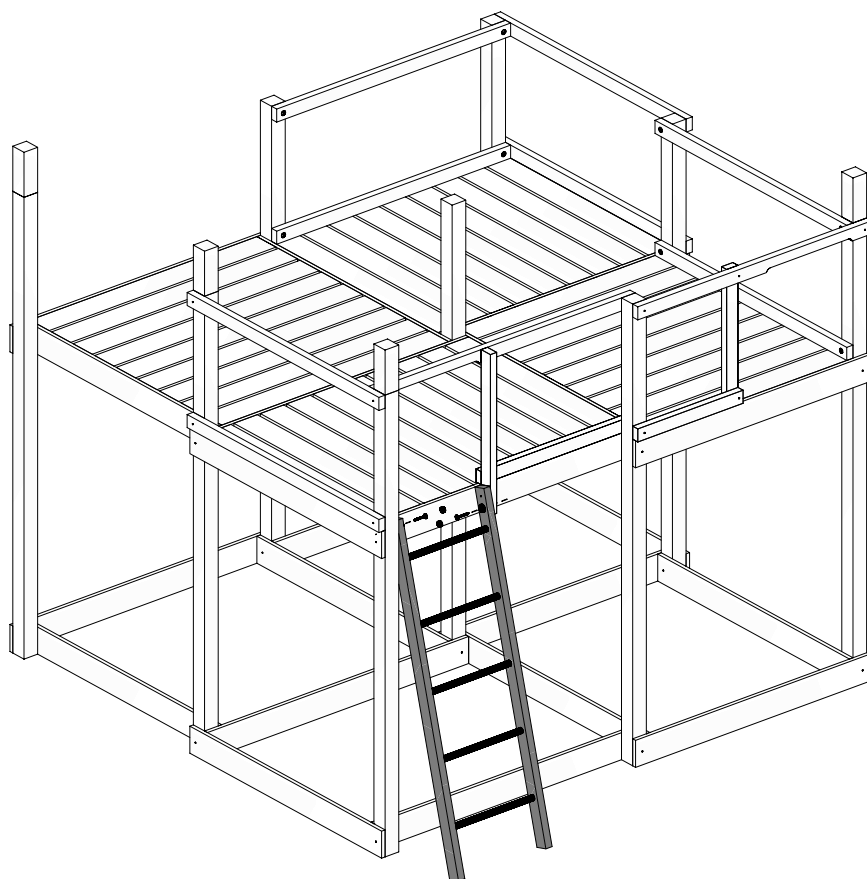


Zgodne z normą PN-EN 71 stosuj zalecenia producenta odnośnie odległości oraz metody mocowania poszczególnych elementów
In compliance with the standard PN-EN 71, apply guidelines of the producer in relation to distances and methods of fastening individual elements

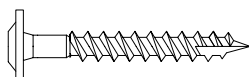
46



47



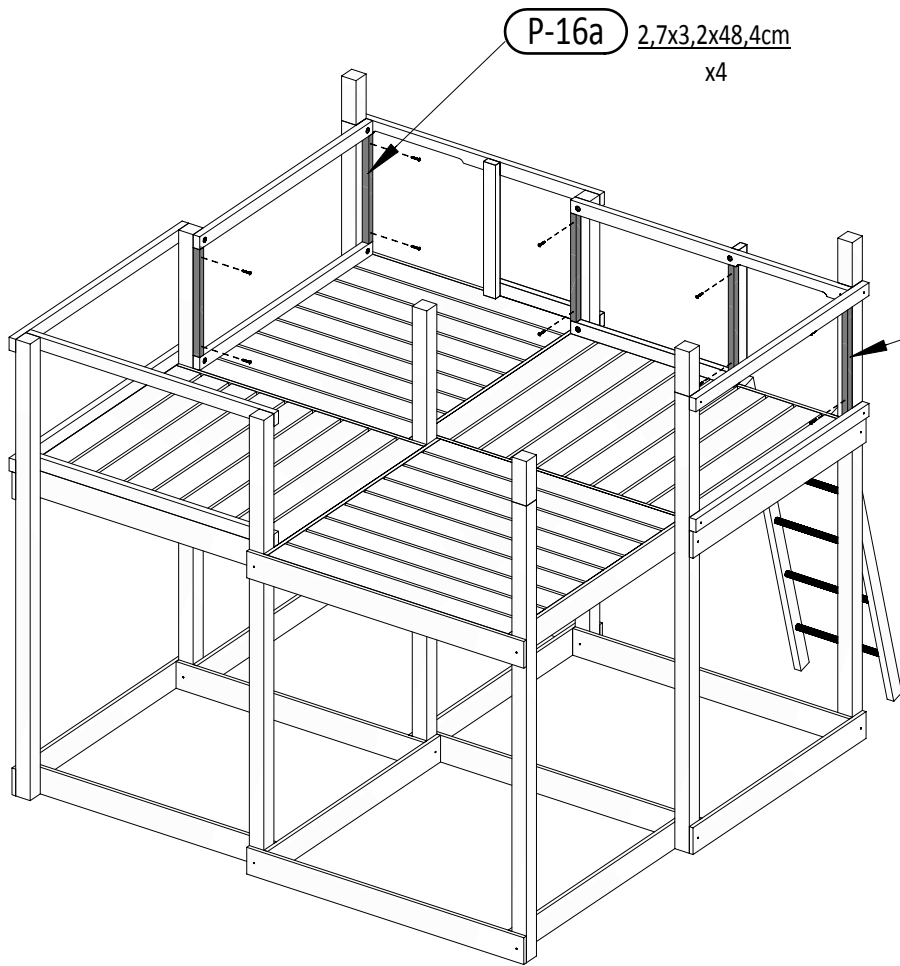
OS1 x2



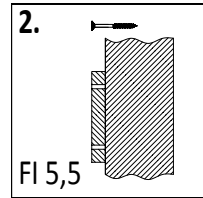
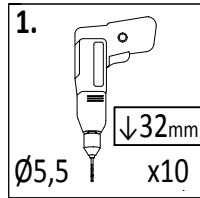
T60 x2

36 MY SPACE XL

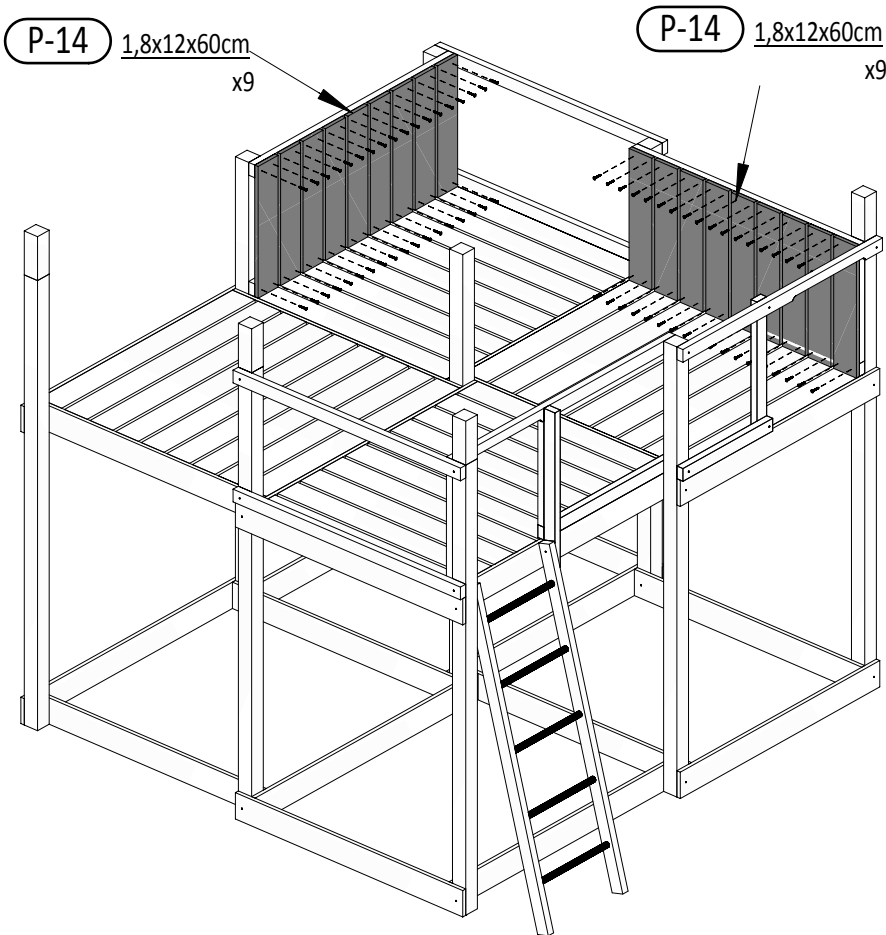
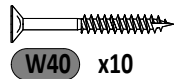
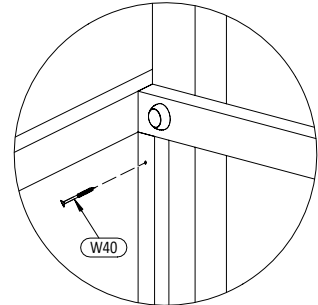
Zgodnie z normą PN-EN 71 stosuj zalecenia producenta odnośnie odległości oraz metody mocowania poszczególnych elementów
 In compliance with the standard PN-EN 71, apply guidelines of the producer in relation to distances and methods of fastening individual elements



P-16a 2,7x3,2x48,4cm
x4

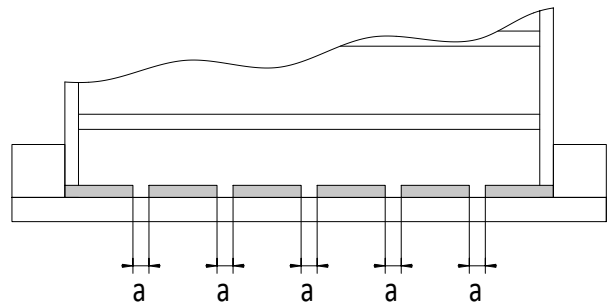
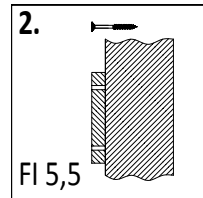
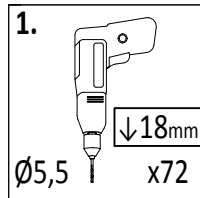


P-15a 2,7x3,2x54,2cm
x1

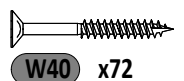


P-14 1,8x12x60cm
x9

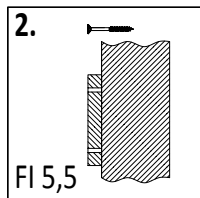
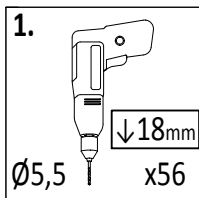
P-14 1,8x12x60cm
x9



!!!min 13mm < a < !!!max 23mm

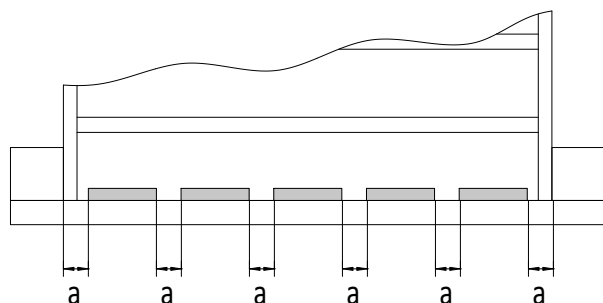


50

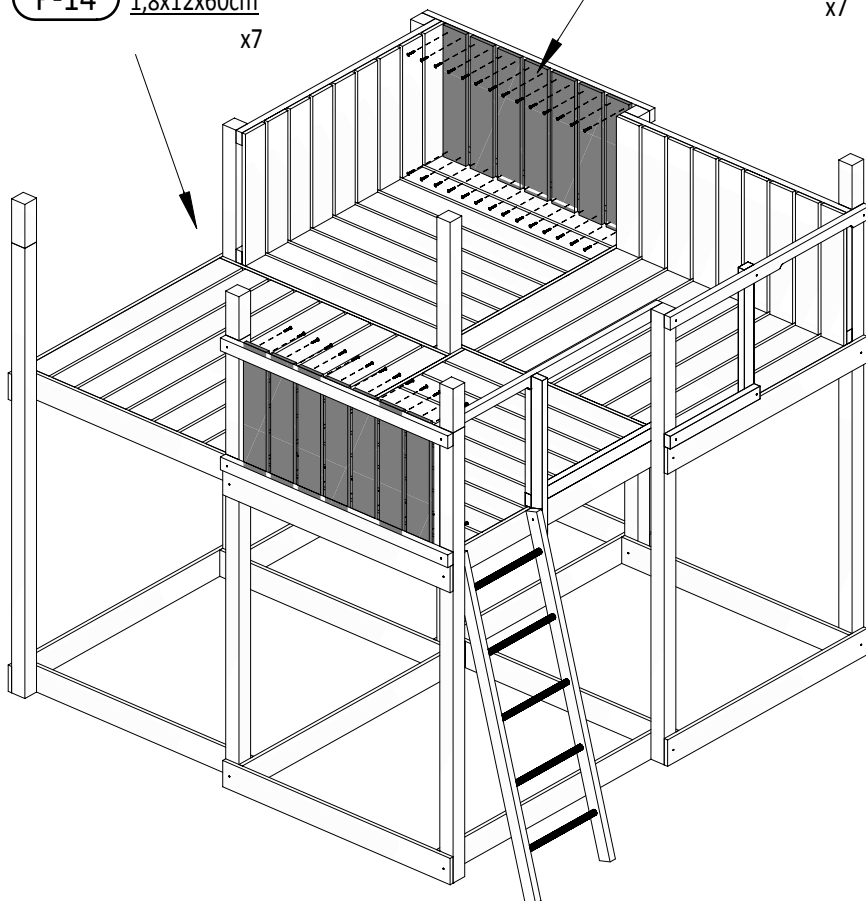


P-14 1,8x12x60cm x7

P-14 1,8x12x60cm x7

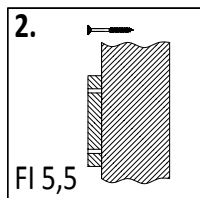
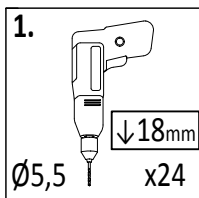


!!!min 13mm < a <!!!max 23mm

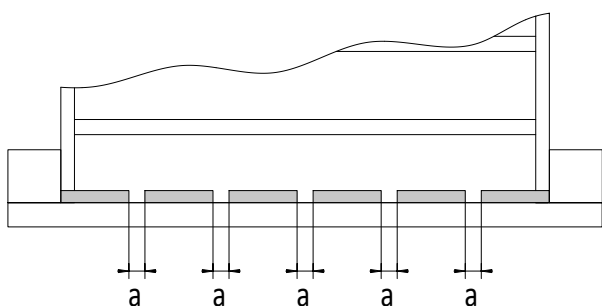


W40 x56

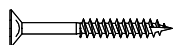
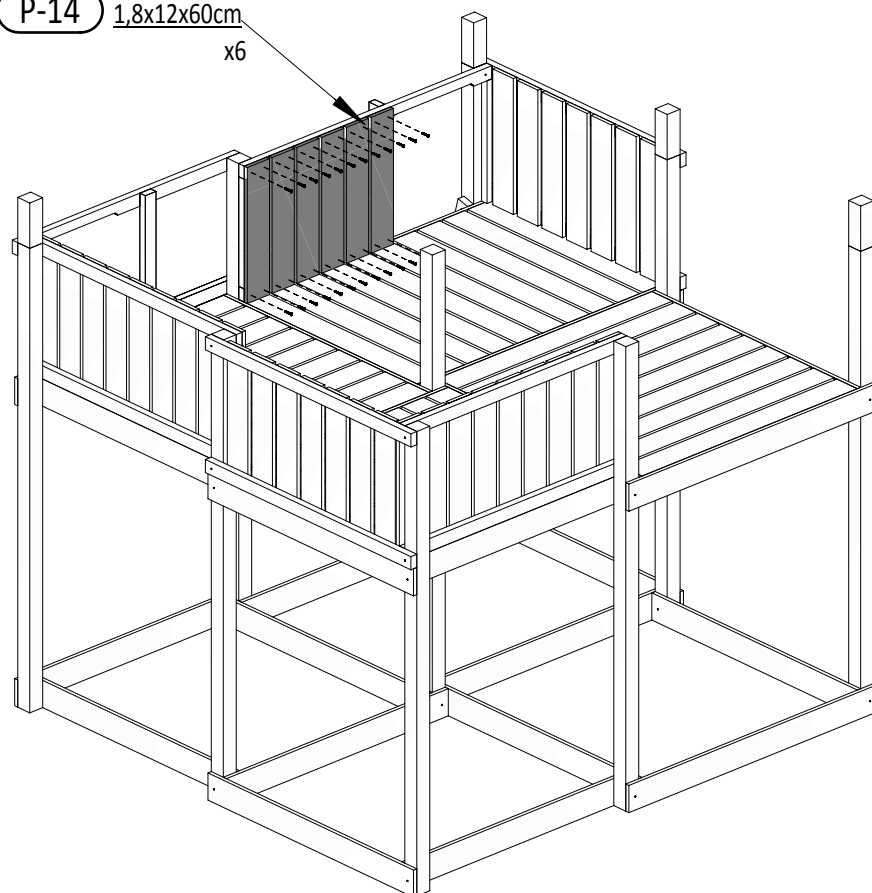
51



P-14 1,8x12x60cm x6



!!!min 12mm < a <!!!max 14mm

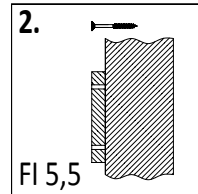
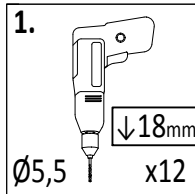
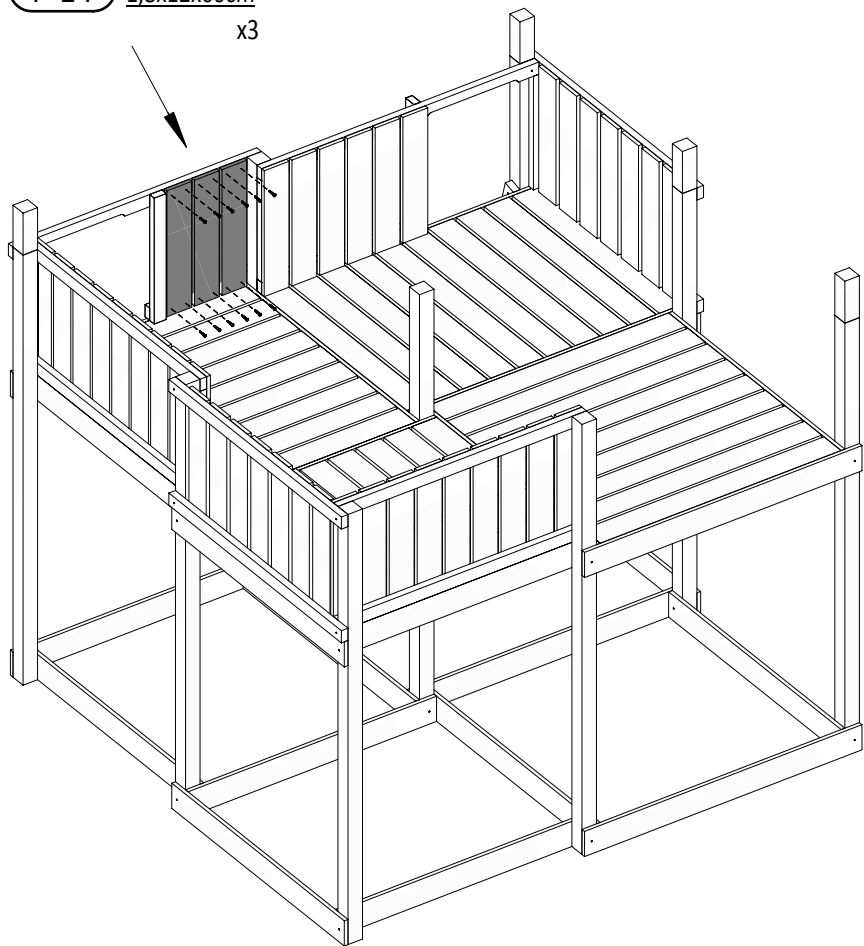


W40 x24

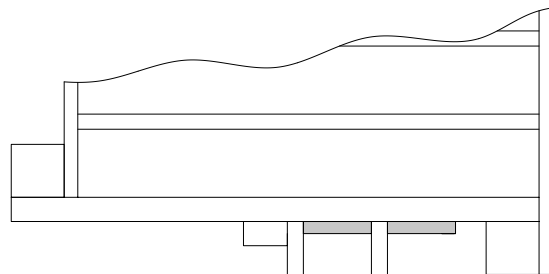
P-14

1,8x12x60cm

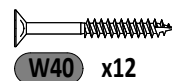
x3



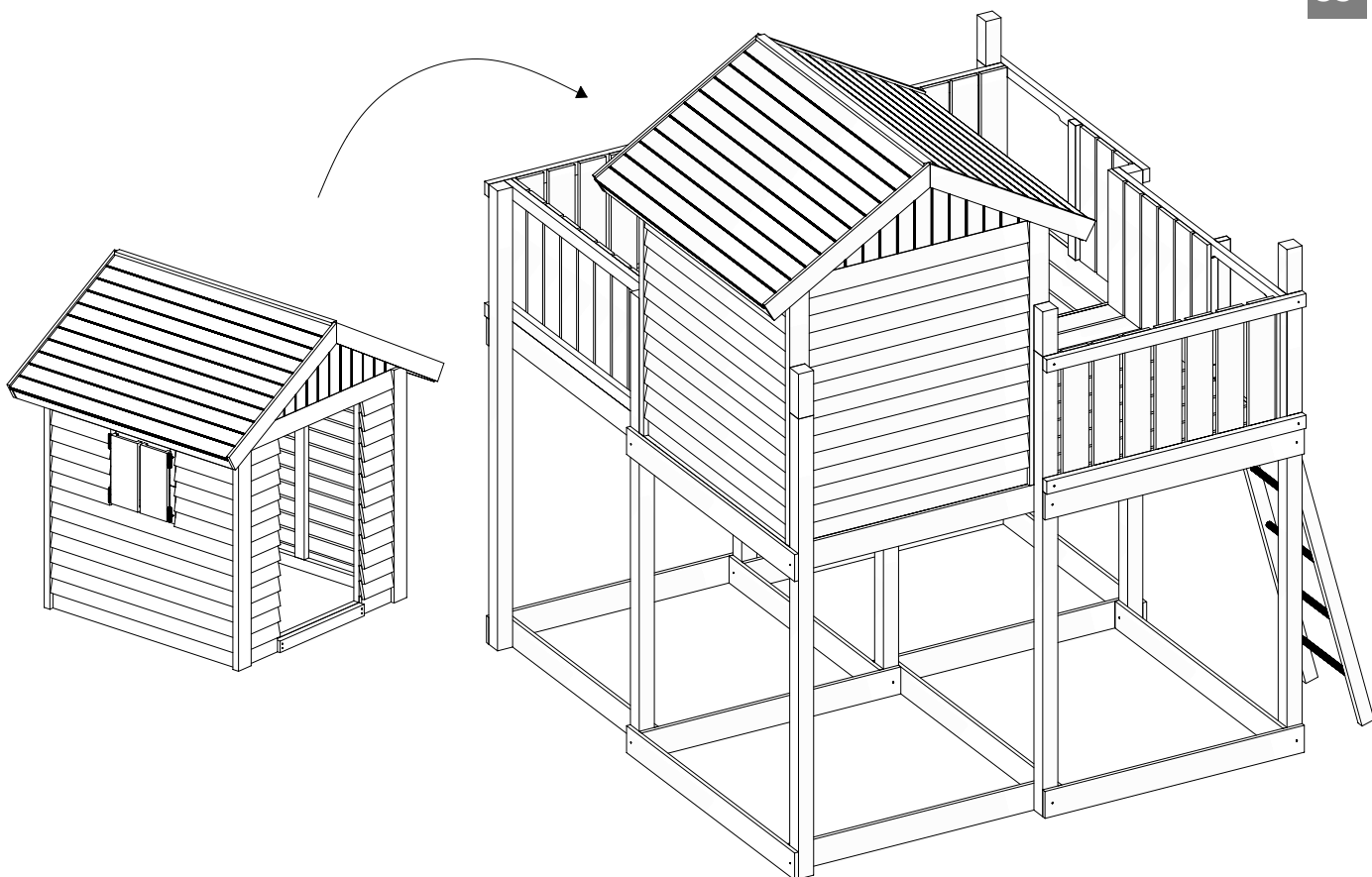
52

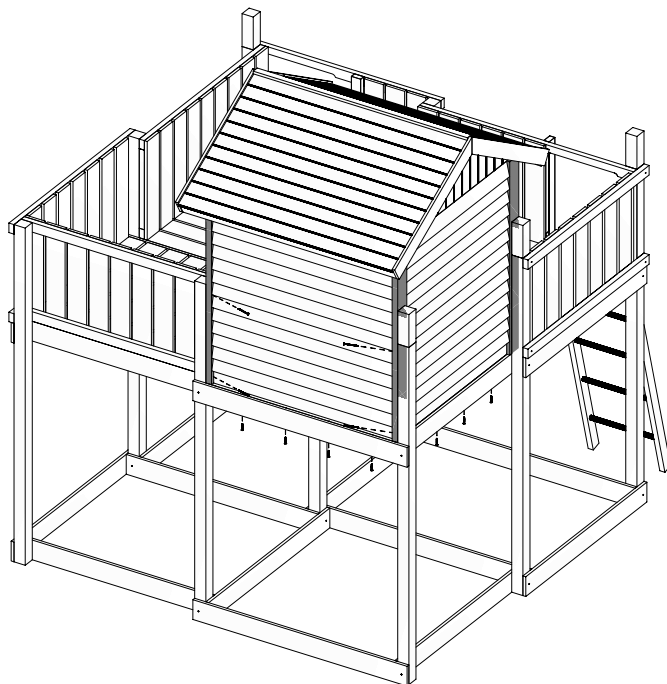
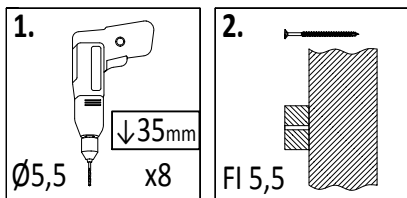


!!!min 12mm < a < !!!max 14mm



53

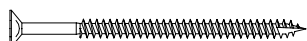
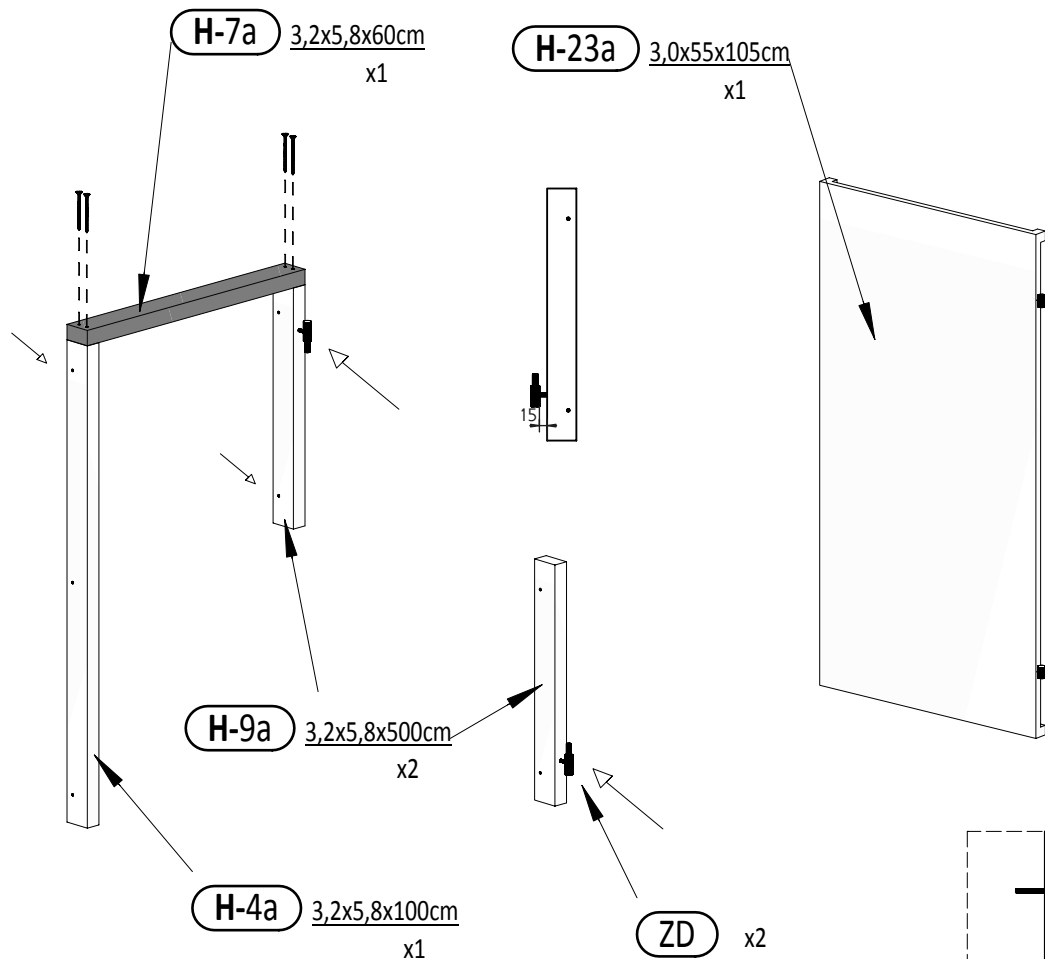
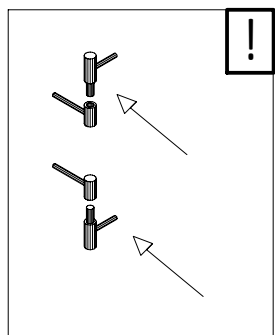




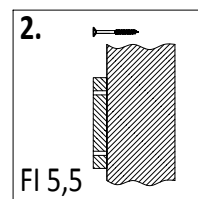
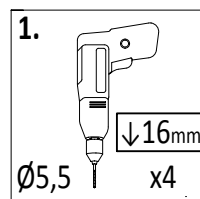
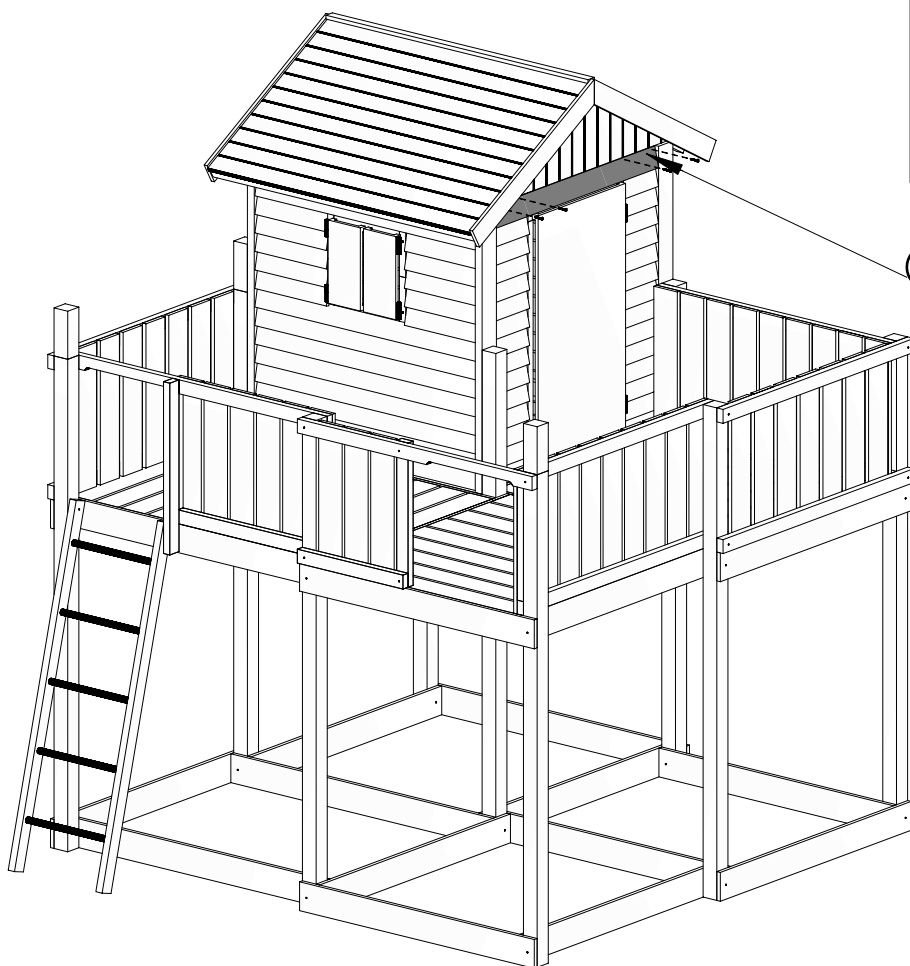
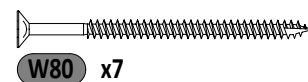
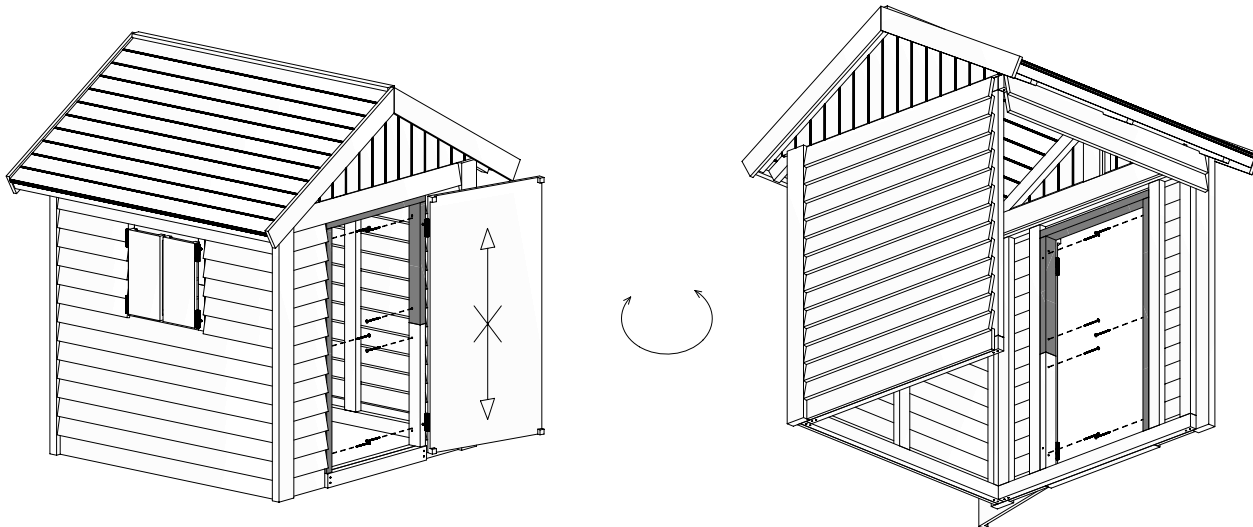
W40 x16



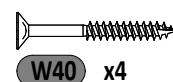
W80 x8



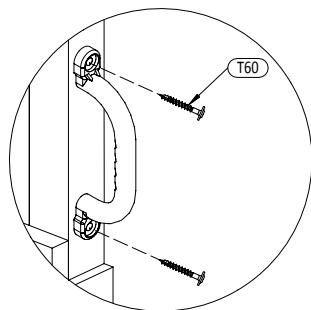
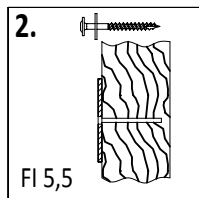
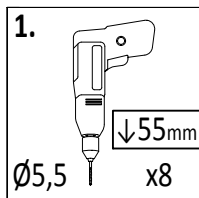
W80 x4



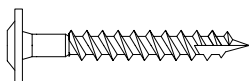
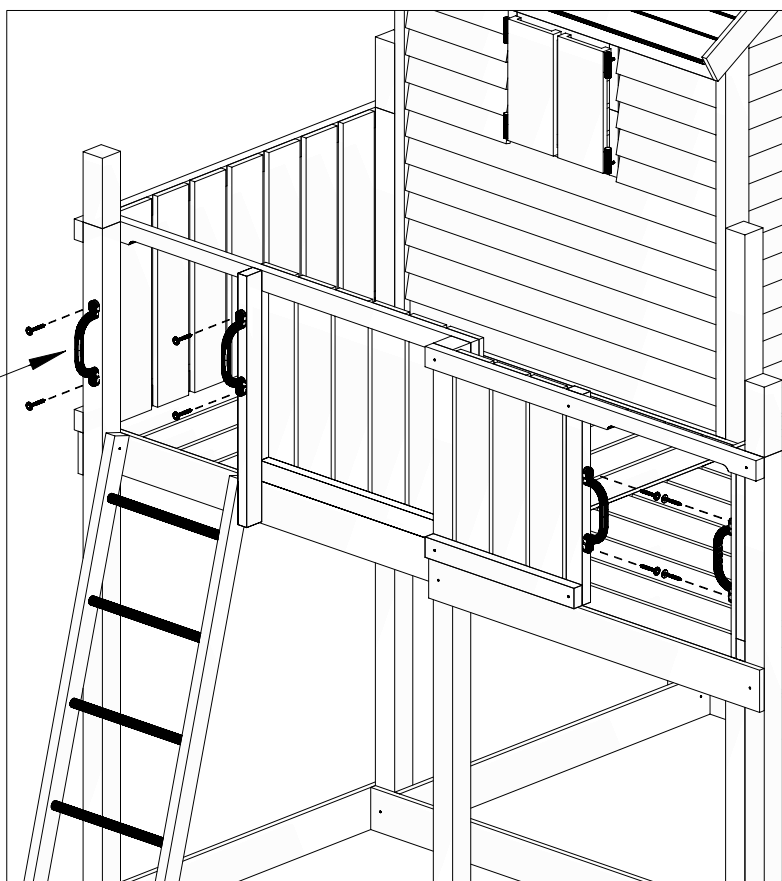
H-15 1,6x9,0x102cm
 x1



58

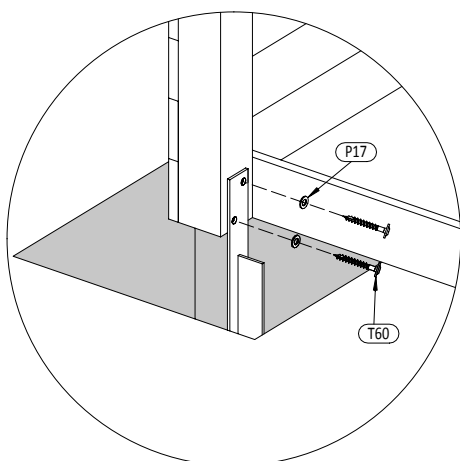
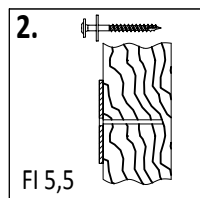
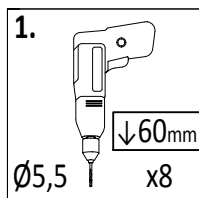


UC x4



T60 x8

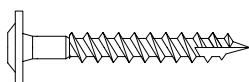
59



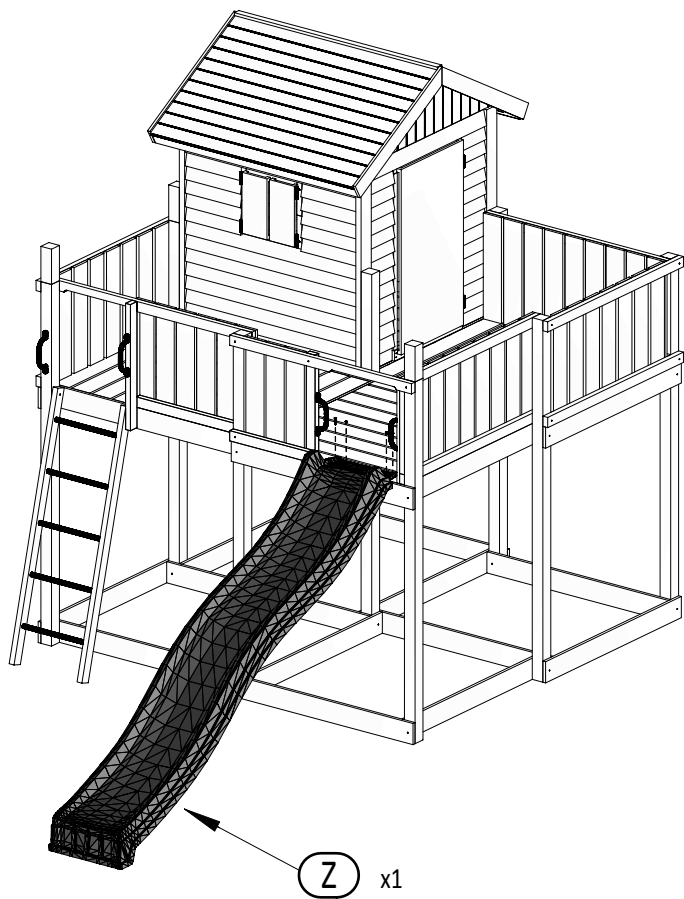
MG x4





P17 x8

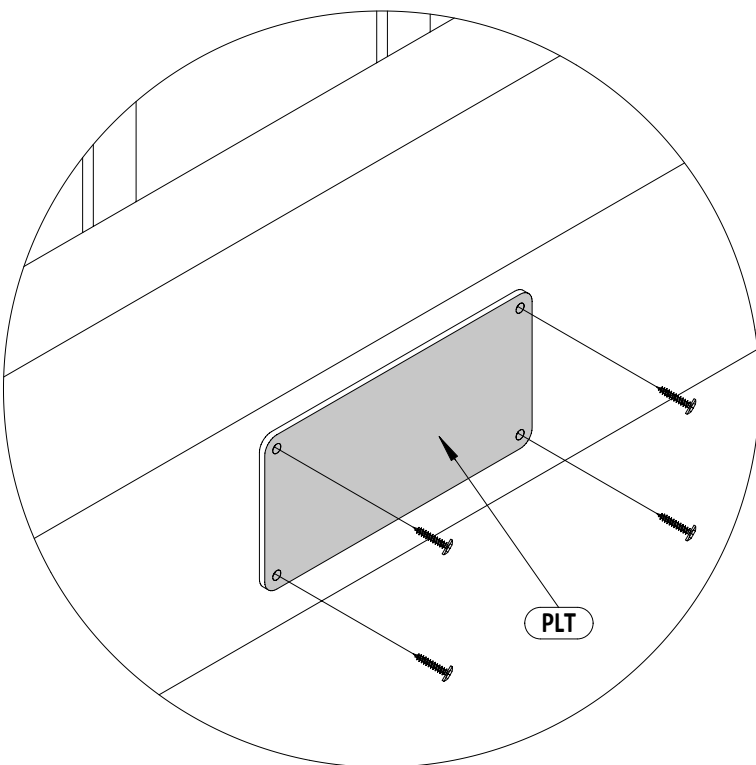


T60 x8



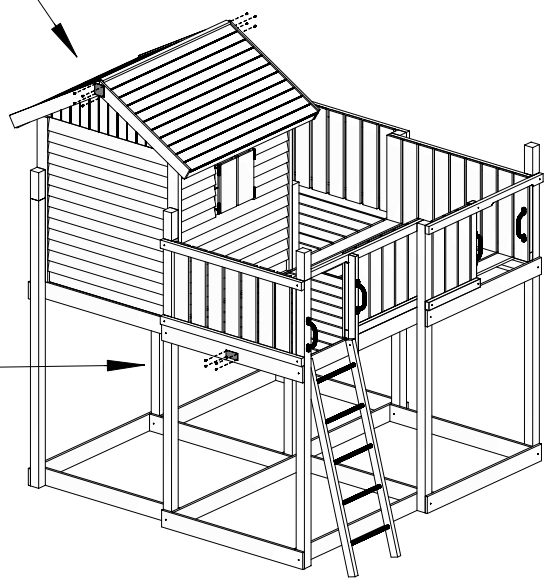
Z x1

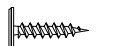
-  W40 x2
-  W20 x2



PLT

TA x2



-  W20 x12

Zgodnie z normą PN-EN 71 stosuj zalecenia producenta odnośnie odległości oraz metody mocowania poszczególnych elementów
 In compliance with the standard PN-EN 71, apply guidelines of the producer in relation to distances and methods of fastening individual elements